

KOHLER ENGINES

IN Action

K330-K331 PARTS IDENTIFICATION

This manual covers K330 and K331 models.

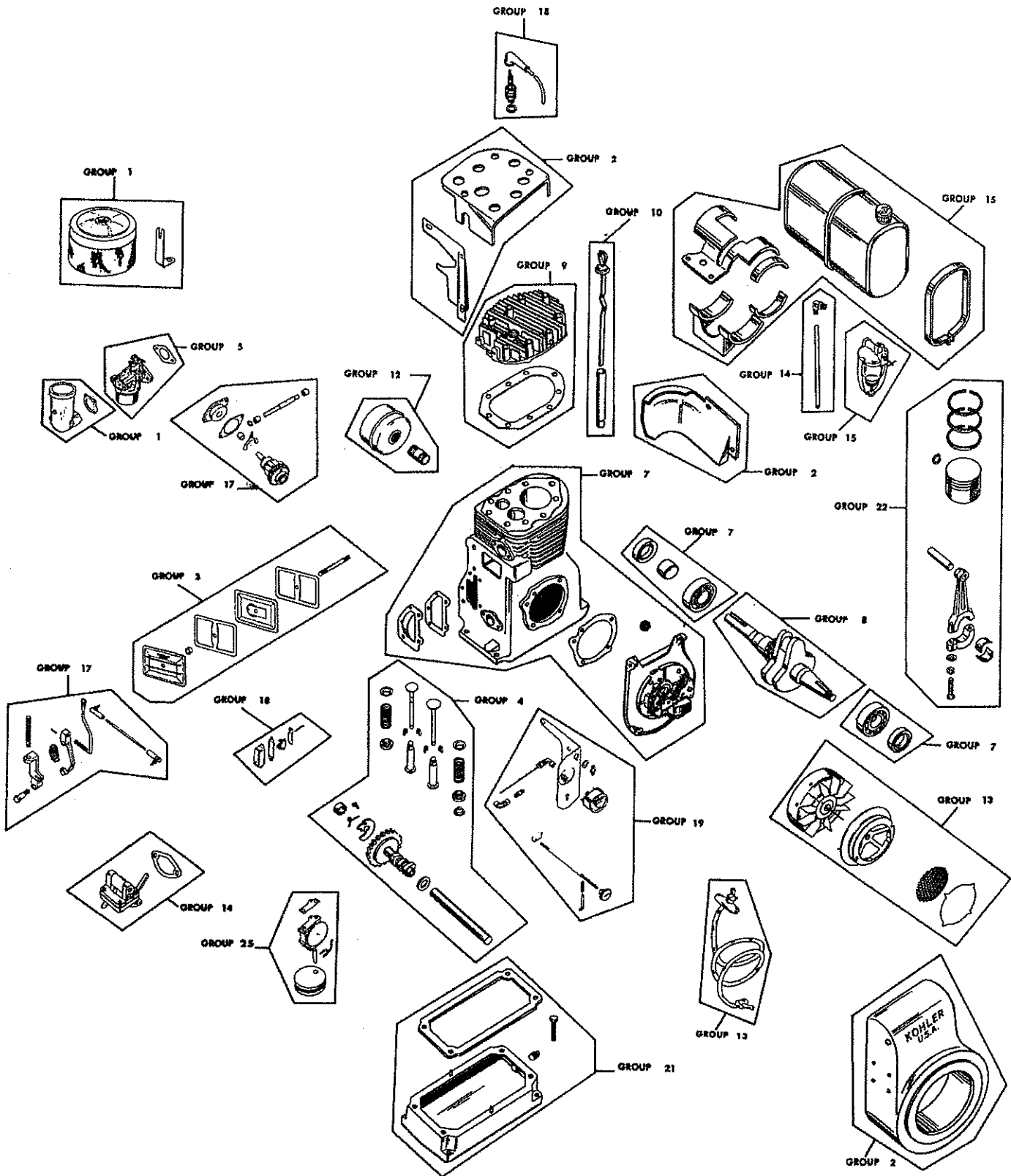
The model, specification, and serial numbers of your engine are found on the engine nameplate. Use the specification number to insure correct parts identification.

REVISION NO. 8-67

This is a complete revision.

K331

COMPOSITE EXPLODED VIEW



K331 SPECIFICATION NO. INDEX

GROUP NUMBER	<div style="display: flex; justify-content: space-between;"> <div style="writing-mode: vertical-rl; transform: rotate(180deg);">Air Intake</div> <div style="writing-mode: vertical-rl; transform: rotate(180deg);">Baffles and Shroud</div> <div style="writing-mode: vertical-rl; transform: rotate(180deg);">Breather and Vent</div> <div style="writing-mode: vertical-rl; transform: rotate(180deg);">Camschaft and Valves</div> <div style="writing-mode: vertical-rl; transform: rotate(180deg);">Carburetor and Choke</div> <div style="writing-mode: vertical-rl; transform: rotate(180deg);">Clutch</div> <div style="writing-mode: vertical-rl; transform: rotate(180deg);">Crankcase</div> <div style="writing-mode: vertical-rl; transform: rotate(180deg);">Crankshaft</div> <div style="writing-mode: vertical-rl; transform: rotate(180deg);">Cylinder Head</div> <div style="writing-mode: vertical-rl; transform: rotate(180deg);">Dipstick</div> <div style="writing-mode: vertical-rl; transform: rotate(180deg);">Electric Start</div> <div style="writing-mode: vertical-rl; transform: rotate(180deg);">Exhaust</div> <div style="writing-mode: vertical-rl; transform: rotate(180deg);">Flywheel</div> <div style="writing-mode: vertical-rl; transform: rotate(180deg);">Fuel Pump or Cover</div> <div style="writing-mode: vertical-rl; transform: rotate(180deg);">Fuel Tank and Fitting</div> <div style="writing-mode: vertical-rl; transform: rotate(180deg);">Governor</div> <div style="writing-mode: vertical-rl; transform: rotate(180deg);">Ignition</div> <div style="writing-mode: vertical-rl; transform: rotate(180deg);">Instrument Panel</div> <div style="writing-mode: vertical-rl; transform: rotate(180deg);">Oil Pan</div> <div style="writing-mode: vertical-rl; transform: rotate(180deg);">Piston and Rod</div> <div style="writing-mode: vertical-rl; transform: rotate(180deg);">Retractable Starter</div> <div style="writing-mode: vertical-rl; transform: rotate(180deg);">Remote Throttle</div> <div style="writing-mode: vertical-rl; transform: rotate(180deg);">Oil Pump</div> </div>																								
	SPEC. NO.	1	2	3	4	5	6	7	8	9	10	11	12	13	14	15	16	17	18	19	21	22	23	24	25
3701	8	3	2	4	2		13	20	2	1		3	1	2			5	10		8	1				2
3702	8	3	2	4	2		13	20	2	1		3	1	2			5	10		8	1				2
3703	8	3	2	4	2		13	20	2	1		3	1	2			5	10		8	1				2
3704	8	3	2	4	2		13	20	2	1		3	1	1	3		5	10		8	1				2
3705	8	1	2	4	4		14	20	2	1		3	1	2			5	9		8	1				2
3706	14	1	2	4	7		14	20	2	1		3	1	2			5	9		9	1				2
3707	8	1	2	4	4		14	20	2	1		3	1	2			5	9		8	1				2
3708	8	3	2	4	2		13	20	2	1		3	1	1	3		5	10		8	1				2
3709	14	3	2	4	8		13	20	2	1		3	1	2			5	10		9	1				2
3710	8	1	2	4	4		14	20	2	1		3	1	1	3		5	9		8	1				2
3711	8	3	2	4	2		13	20	2	1		3	1	1	3		5	10		8	1				2
3712	8	1	2	4	4		14	20	2	1		3	1	1	3		5	9		8	1				2
3713	8	4	2	4	4		14	20	2	1		3	3	3			5	9		10	1				2
3714	8	4	2	4	4		14	20	2	1		3	3	3			5	9		10	1				2
3715	8	1	2	4	4		14	20	2	1		3	1	2			5	9		8	1				2
3716	14	1	2	4	7		14	20	2	1		3	1	2			5	9		9	1				2
3717	14	1	2	4	7		14	20	2	1		3	1	2			5	9		9	1				2
3719	14	1	2	4	7		14	20	2	1		3	1	2			5	9		9	1				2
3720	8	1	2	4	4		14	20	2	1		3	1	2			5	9		9	1				2
3721	8	4	2	4	4		14	20	2	1		3	3	2			5	9		8	1				2
3722	8	3	2	4	2		13	20	2	1		3	1	2			5	10		8	1				2
3723	14	1	2	4	7		14	20	2	1		3	1	2			5	9		9	1				2
3724	8	1	2	4	4		14	20	2	1		3	1	2			5	9		8	1				2
3725	8	1	2	4	4		14	20	2	1		3	1	2			5	9		8	1				2
3726	14	1	2	4	7		14	20	2	1		3	1	2			5	9		9	1				2
3727	14	3	2	4	8		13	20	2	1		3	1	2			5	10		9	1				2
3728	14	1	2	4	7		14	20	2	1		3	1	2			5	9		9	1				2
3729	14	1	2	4	7		14	20	2	1		3	1	2			5	9		9	1				2
3730	14	1	2	4	7		14	20	2	1		3	1	2			5	9		9	1				2
3731	14	1	2	4	7		14	20	2	1		3	1	2			5	9		9	1				2
3801	30	1	5	1	26		11	1	1	1		1	4	1	1		1	5	1	1	1				1
3805	13	1	1	1	3	2	4	10	1	1		7	1	1	1		1	1	1	1	1				1
3806	13	1	5	2	3		17	2	1	1		1	4	1	1		1	5	1	1	1				1
3808	13	1	5	2	3		3	4	1	1		1	1	1	1		1	1	1	1	1				1
3809	13	1	5	2	3		4	5	1	1		1	1	1	1		1	1	1	1	1				1
3810	30	1	5	2	26		11	6	1	1		1	4	1	1		1	5	1	1	1				1
3812	13	1	5	2	3		11	7	1	1		1	4	1	1		1	5	1	1	1				1
3815	30	1	5	2	26		11	8	1	1		1	4	1	1		1	5	1	1	1				1
3822	13	1	5	2	3		11	9	1	1		5	4	1	1		1	5	1	1	1				1
3825	1	1	5	1	3	1	1	10	1	1		1	1	1	1		1	1	1	1	1				1

K331 SPECIFICATION NO. INDEX

GROUP NUMBER	<div style="display: flex; justify-content: space-between;"> <div style="writing-mode: vertical-rl; transform: rotate(180deg);">Air Intake</div> <div style="writing-mode: vertical-rl; transform: rotate(180deg);">Baffles and Shroud</div> <div style="writing-mode: vertical-rl; transform: rotate(180deg);">Breather and Vent</div> <div style="writing-mode: vertical-rl; transform: rotate(180deg);">Camshaft and Vent</div> <div style="writing-mode: vertical-rl; transform: rotate(180deg);">Carburetor and Valves</div> <div style="writing-mode: vertical-rl; transform: rotate(180deg);">Clutch</div> <div style="writing-mode: vertical-rl; transform: rotate(180deg);">Crankcase</div> <div style="writing-mode: vertical-rl; transform: rotate(180deg);">Crankshaft</div> <div style="writing-mode: vertical-rl; transform: rotate(180deg);">Cylinder Head</div> <div style="writing-mode: vertical-rl; transform: rotate(180deg);">Dipstick</div> <div style="writing-mode: vertical-rl; transform: rotate(180deg);">Electric Start</div> <div style="writing-mode: vertical-rl; transform: rotate(180deg);">Exhaust</div> <div style="writing-mode: vertical-rl; transform: rotate(180deg);">Flywheel</div> <div style="writing-mode: vertical-rl; transform: rotate(180deg);">Fuel Pump or Cover</div> <div style="writing-mode: vertical-rl; transform: rotate(180deg);">Fuel Tank and Fitting</div> <div style="writing-mode: vertical-rl; transform: rotate(180deg);">Governor</div> <div style="writing-mode: vertical-rl; transform: rotate(180deg);">Ignition</div> <div style="writing-mode: vertical-rl; transform: rotate(180deg);">Instrument Panel</div> <div style="writing-mode: vertical-rl; transform: rotate(180deg);">Oil Pan</div> <div style="writing-mode: vertical-rl; transform: rotate(180deg);">Piston and Rod</div> <div style="writing-mode: vertical-rl; transform: rotate(180deg);">Retractable Starter</div> <div style="writing-mode: vertical-rl; transform: rotate(180deg);">Remote Throttle</div> <div style="writing-mode: vertical-rl; transform: rotate(180deg);">Oil Pump</div> </div>																								
	SPEC. NO.	1	2	3	4	5	6	7	8	9	10	11	12	13	14	15	16	17	18	19	21	22	23	24	25
3827	15	1	5	1	2		17	11	2	1		2	4	6			6	5		1	1		1	1	
3831	15	1	5	1	3		11	12	1	1		1	4	1	1		1	5	1	1	1			1	
3835*	15	1	5	1	3		1	1	2	1		1	1	2			1	1	1	1	1			1	
3840	13	1	5	1	3		1	1	1	1		1	1	1	1		1	1	1	1	1			1	
3841	30	1	5	2	3		11	9	1	1		3	4	1	1		1	5	1	1	1			1	
3844	1	2	5	1	3		9	1	1	1	1	1	2	4	2		1	2	2	3	1			1	
3847	13	1	5	2	3	1	1	10	1	1		1	1	1	1		1	1	1	1	1			1	
3850	1	1	5	2	3	1	1	10	1	1		1	1	1	1		1	1	1	2	1			1	
3856	15	1	1	1	3	1	1	10	1	1		1	1	1	1		2	1	3	1	1			1	
3857*	15	1	5	1	3		9	16	2	1		1	1	1			3	1		1	1			1	
3868*		5	5	5		1	18	35	2	1				5			4	11		1	1			1	
3870	13	1	5	3	3	1	1	10	1	1		1	1	1	1		1	1	1	1	1			1	
3871	13	1	5	1	3		11	1	1	1		1	4	1	1		3	5	4	1	1		2	1	
3874	13	1	5	1	3		1	1	2	1		1	1	1	1		1	1	1	1	1			1	
3875	30	1	5	2	26		17	19	1	1		1	4	1	1		1	5	1	1	1			1	
3877	30	2	5	1	26	1	9	10	1	1	1	1	2	4	2		1	2	2	3	1			1	
3879	13	2	5	1	3		9	1	1	1	1	1	2	4	2		3	2	5	3	1		3	1	
3880	30	2	5	1	26		9	1	1	1	1	1	2	4	2		1	2	2	3	1			1	
3882	30	1	5	1	26	1	11	10	1	1		1	4	1	1		1	5	1	1	1			1	
3883*	15	6	5	1	3		15	1	1	1		1	1	1	1		3	7		1	1			1	
3885	30	1	5	2	26	1	11	10	1	1		1	4	1	1		1	5	1	2	1			1	
3887	16	2	5	1	6		10	1	1	1	1	1	2	4	2		1	2	2	11	1			1	
3888*	15	6	5	2	3		1	16	1	1		1	1	1	1		6	1	1	1	1		1	1	
3889	13	1	5	1	3		11	10	1	1		1	4	1	1	2	1	5	1	1	1			1	
3892	13	1	5	1	3		11	10	1	1		1	4	1	1	3	1	5	1	1	1			1	
3896	13	2	5	1	3		9	10	1	1	1	1	2	4	2	2	1	2	2	3	1			1	
3897	30	1	5	2	3		11	5	1	1		1	4	1	1		1	5	1	1	1			1	
3899	30	1	5	2	26		11	1	1	1		1	4	1	1		1	5	1	1	1			1	
38100	13	1	5	2	3		1	6	1	1		1	1	1	1		3	1	4	1	1		2	1	
38105	30	1	5	2	26	1	11	10	1	1		1	4	1			1	5	1	2	1			1	
38128	30	1	5	2	26		11	1	1	1		7	4	1	1		2	5	3	1	1			1	
38131	22	2	7	2	26		27	25	1	1		4	4	1	1		8	16	10	2	1			1	
38136*	23	2	5	1	3		9	27	1	1	2	1	2	4	5		1	2	8	1	1			1	
38156	30	2	5	2	26	1	11	10	1	1	1	1	4	4	2		1	5	6	3	1			1	
38164	22	2	7	2	26		29	25	1	1	1	4	4	4	2		8	16	11	3	1			1	
38165	30	1	5	1	26		11	1	1	1		1	13	1	1		1	5	1	1	1			1	
38179*	30	2	5	1	3		23	19	2	1	2	1	4	1			1	5	6	3	1			1	
38180	30	1	5	1	3		11	19	2	1		1	4	1			1	5	1	1	1			1	
38186*	31	1	5	1	26		32	30	2	2		16	13				1	18	12	1	1			1	
38194	30	2	5	1	26		9	32	1	1	1	1	2	4	2	1	1	2	2	3	1			1	

* See Accessories section located in back of manual.

K331 SPECIFICATION NO. INDEX

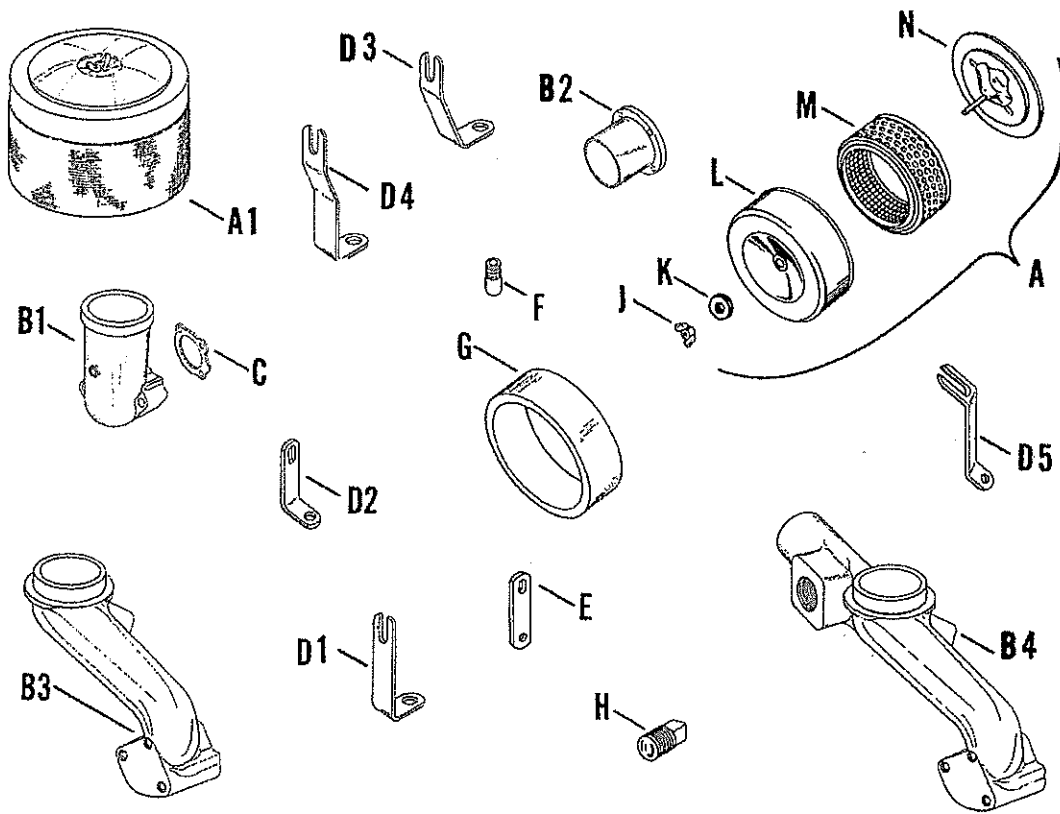
GROUP NUMBER	<div style="display: flex; justify-content: space-between;"> <div style="writing-mode: vertical-rl; transform: rotate(180deg);">Air Intake</div> <div style="writing-mode: vertical-rl; transform: rotate(180deg);">Baffles and Shroud</div> <div style="writing-mode: vertical-rl; transform: rotate(180deg);">Breather and Vent</div> <div style="writing-mode: vertical-rl; transform: rotate(180deg);">Camshaft and Valves</div> <div style="writing-mode: vertical-rl; transform: rotate(180deg);">Carburetor and Choke</div> <div style="writing-mode: vertical-rl; transform: rotate(180deg);">Clutch</div> <div style="writing-mode: vertical-rl; transform: rotate(180deg);">Crankcase</div> <div style="writing-mode: vertical-rl; transform: rotate(180deg);">Crankshaft</div> <div style="writing-mode: vertical-rl; transform: rotate(180deg);">Cylinder Head</div> <div style="writing-mode: vertical-rl; transform: rotate(180deg);">Dipstick</div> <div style="writing-mode: vertical-rl; transform: rotate(180deg);">Electric Start</div> <div style="writing-mode: vertical-rl; transform: rotate(180deg);">Exhaust</div> <div style="writing-mode: vertical-rl; transform: rotate(180deg);">Flywheel</div> <div style="writing-mode: vertical-rl; transform: rotate(180deg);">Fuel Pump or Cover</div> <div style="writing-mode: vertical-rl; transform: rotate(180deg);">Fuel Tank and Fitting</div> <div style="writing-mode: vertical-rl; transform: rotate(180deg);">Governor</div> <div style="writing-mode: vertical-rl; transform: rotate(180deg);">Ignition</div> <div style="writing-mode: vertical-rl; transform: rotate(180deg);">Instrument Panel</div> <div style="writing-mode: vertical-rl; transform: rotate(180deg);">Oil Pan</div> <div style="writing-mode: vertical-rl; transform: rotate(180deg);">Piston and Rod</div> <div style="writing-mode: vertical-rl; transform: rotate(180deg);">Retractable Starter</div> <div style="writing-mode: vertical-rl; transform: rotate(180deg);">Remote Throttle</div> <div style="writing-mode: vertical-rl; transform: rotate(180deg);">Oil Pump</div> </div>																								
	1	2	3	4	5	6	7	8	9	10	11	12	13	14	15	16	17	18	19	20	21	22	23	24	25
SPEC. NO.	VARIATION NUMBER																								
38198		1	5	2	26		11	33	2	1		1	4	2			1	19	1	2	1			1	
38199		2	5	2	26		23	33	2	1	1	1	4	2			1	19	6	3	1			1	
38202	13	1	5	1	26	1	11	10	1	1		1	4	1	1		9	5	1	1	1			1	
38216	32	2	5	1	26		9	1	2	1	1		2	1			1	2	2	3	1			1	
4300	9	1	2	3	4		6	15	2	1			5	1	2			2	3		4	1		1	
4301	10	1	2	3	5		7	15	2	1			5	1	2			2	3		5	1		1	
4302	9	1	2	3	4		6	15	2	1			5	1	2			2	3		4	1		1	
4303	9	1	2	3	4		6	15	2	1			5	1	2			2	3		4	1		1	
4304	10	1	2	3	5		7	15	2	1			5	1	2			2	3		5	1		1	
4305	9	3	2	3	2		8	15	2	1			3	1	2			2	4		4	1		1	
4306	10	1	2	3	5		7	15	2	1			5	1	2			2	3		5	1		1	
4307	9	1	2	3	4		6	15	2	1			5	1	2			2	3		4	1		1	
4308	9	3	2	3	2		8	15	2	1			3	1	2			2	4		4	1		1	
4309	10	1	2	3	5		7	15	2	1			5	1	2			2	3		5	1		1	
4310	10	3	2	3	6		10	15	2	1			3	1	2			2	4		5	1		1	
4311	9	4	2	3	4		6	15	2	1			5	3	2			2	3		4	1		1	
4312	12	4	2	3	4		6	15	2	1			5	3	3			2	3		6	1		1	
4313	9	1	2	3	4		6	15	2	1			5	1	2			2	3		4	1		1	
4314	10	1	2	3	5		7	15	2	1			5	1	2			2	3		5	1		1	
4315	9	1	2	3	4		6	15	2	1			5	1	2			2	3		4	1		1	
4316	9	3	2	3	2		8	15	2	1			3	1	2			2	4		4	1		1	
4317	12	4	2	3	5		7	15	2	1			5	3	2			2	3		5	1		1	
4318	9	4	2	3	4		6	15	2	1			5	3	2			2	3		4	1		1	
4319	9	1	2	3	4		6	15	2	1			5	1	2			2	3		4	1		1	
4320	12	7	2	3	9		8	15	2	1			5	6	3			2	8		6	1		1	
4321	9	4	2	3	4		6	15	2	1			5	3	2			2	3		4	1		1	
4322	12	4	2	3	12		6	15	2	1			5	3	3			2	3		6	1		1	
4323	9	3	2	3	2		8	15	2	1			3	1	2			2	4		4	1		1	
4324	12	4	2	3	5		7	15	2	1			5	3	2			2	3		5	1		1	
4325	11	1	2	3	4		6	15	2	1			5	1	2			2	3		12	1		1	
4400	9	1	2	3	4		6	15	2	1			5	1	2			2	3		4	1		1	
4401	9	1	2	3	4		6	15	2	1			5	1	2			2	3		4	1		1	
4402	9	3	1	3	2		8	15	2	1			5	1	2			2	4		4	1		1	
4404	9	1	2	3	4		6	15	2	1			5	1	2			2	3		4	1		1	
4405	9	3	1	3	2		8	15	2	1			5	1	2			2	4		4	1		1	
4406	10	3	2	3	6		10	15	2	1			6	1	2			2	4		5	1		1	
4408	9	1	2	3	4		6	15	2	1			5	1	2			2	3		4	1		1	
4409	9	4	2	3	4		6	15	2	1			5	3	2			2	3		4	1		1	
4410	9	1	2	3	4		6	15	2	1			5	1	2			2	3		4	1		1	
4411	12	4	2	3	4		6	15	2	1			5	3	3			2	3		6	1		1	

K331 SPECIFICATION NO. INDEX

	Air Intake	Baffles and Shroud	Breather and Vent	Camshaft and Valve	Carburetor and Choke	Clutch	Crankcase	Crankshaft	Cylinder Head	Dipstick	Electric Start	Exhaust	Flywheel	Fuel Pump or Cover	Fuel Tank and Fitting	Governor	Ignition	Instrument Panel	Oil Pan	Piston and Rod	Retractable Starter	Remote Throttle	Oil Pump		
GROUP NUMBER	1	2	3	4	5	6	7	8	9	10	11	12	13	14	15	16	17	18	19	21	22	23	24	25	
SPEC. NO.	VARIATION NUMBER																								
4412	10	1	2	3	5		7	15	2	1		5	1	2			2	3		5	1				1
4413	9	3	1	3	2		8	15	2	1		5	1	2			2	4		4	1				1
4415	9	4	2	3	4		6	15	2	1		5	3	2			2	3		4	1				1
4416	9	1	2	3	4		6	15	2	1		5	1	2			2	3		4	1				1
4417	10	1	2	3	5		7	15	2	1		5	1	2			2	3		5	1				1
4419	9	1	2	3	4		6	15	2	1		5	1	2			2	3		4	1				1
4420	9	1	2	3	4		6	15	2	1		5	1	2			2	3		4	1				1
4421	9	4	2	3	4		6	15	2	1		5	3	2			2	3		4	1				1
4422	9	1	2	3	4		6	15	2	1		5	1	2			2	3		4	1				1
4423	10	1	2	3	5		7	15	2	1		5	1	2			2	3		5	1				1
4424	12	4	2	3	4		6	15	2	1		5	3	3			2	3		6	1				1
4425	7	4	2	3	4		6	15	2	1		5	5	2			2	3		4	1				1
4426	10	1	2	3	5		7	15	2	1		5	1	2			2	3		5	1				1
4427	9	1	2	3	4		6	15	2	1		5	1	2			2	3		4	1				1
4428	9	1	2	3	4		6	15	2	1		5	1	2			2	3		4	1				1
4429	9	1	2	3	10		6	15	2	1		5	1	7			2	3		4	1				1
4430	12	4	2	3	4		6	15	2	1		5	3	3			2	3		6	1				1
4431	9	4	2	3	4		6	15	2	1		5	3	2			2	3		4	1				1
4432	10	4	2	3	5		7	15	2	1		5	3	2			2	3		5	1				1
4433	10	8	2	3	11		6	15	3	1		5	1	8			2	3		5	1				1
4434	10	8	2	3	11		6	15	3	1		5	1	8			2	3		5	1				1
4435	9	3	1	3	2		8	15	2	1		5	1	2			2	4		4	1				1
4436	9	4	2	3	4		6	15	2	1		4	3	2			2	3		12	1				1
4437	12	4	2	3	4		6	15	2	1		5	3	3			2	3		6	1				1
4438	9	3	1	3	2		8	15	2	1		5	1	2			2	4		4	1				1
4439	10	4	2	3	5		7	15	2	1		5	3	2			2	3		5	1				1
4440	9	1	2	3	4		6	15	2	1		5	1	2			2	3		4	1				1
4441	9	1	2	3	4		6	15	2	1		5	1	2			2	3		4	1				1

K331

AIR INTAKE



INDEX LETTER	VARIATION NUMBER	PART NUMBER	DESCRIPTION	QTY. REQ'D.
A1	1	A-270406	Cleaner, air	1
A1	8,9,10,11,12,14	A-270172	Cleaner, air	1
A1	13,15,16	A-270970	Cleaner, air (A-270172 used before serial #296101) (A-270406 used before serial #365044)	1
A2	30,31,32	A-275916	Cleaner, air -- assembly (Incl. J thru N)	1
B1	1,9,10,13,16	275259	Elbow, cleaner (275131 used before engine serial #310231 E.P. serial #199860)	1
B2	7	275701	Elbow, cleaner	1
B3	8,11,15	275131	Elbow, cleaner	1
B3	12	275714	Elbow, cleaner	1
B4	14	275238	Elbow, cleaner	1
B3	22	275840	Elbow, cleaner	1
B1	23	275849	Elbow, cleaner	1
C	ALL	275341	Gasket, air horn	1
D1	1	275262	Brace, air cleaner	1
D1	8,9,14	275326	Brace, air cleaner (275133 used before E.P. serial #194255) (275236 used before E.P. serial #199860)	1



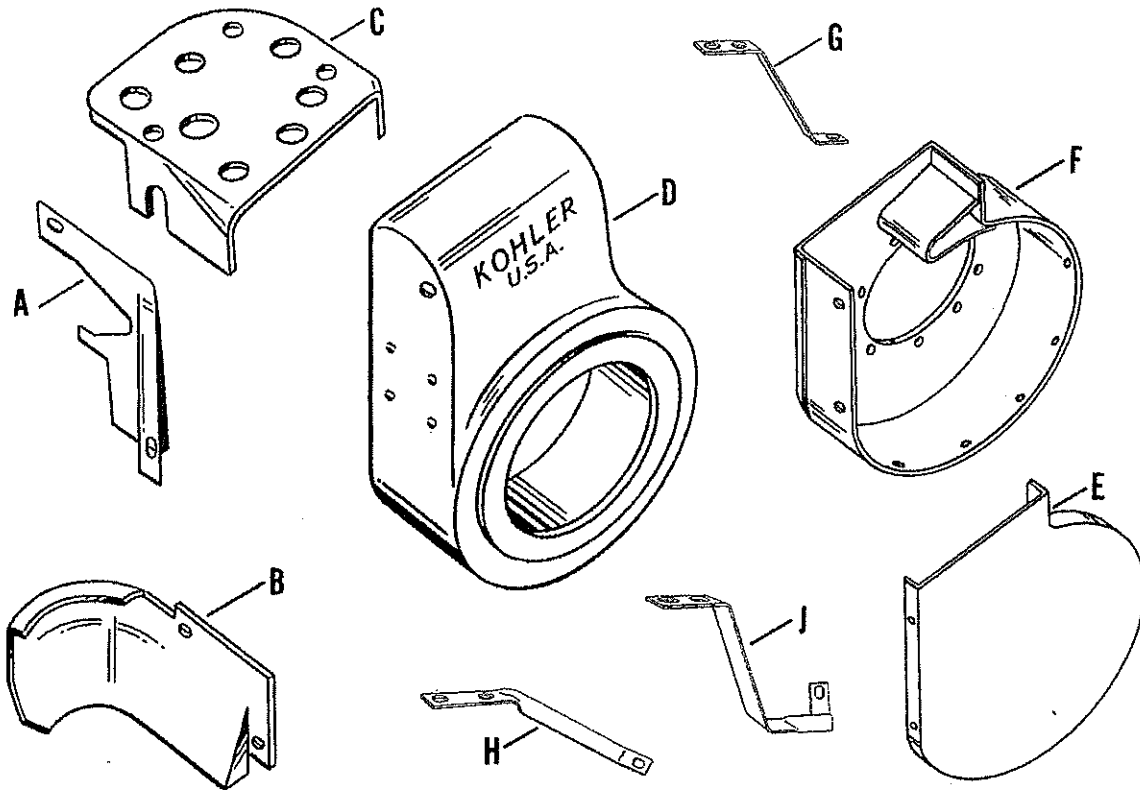
**AIR
INTAKE**

K331

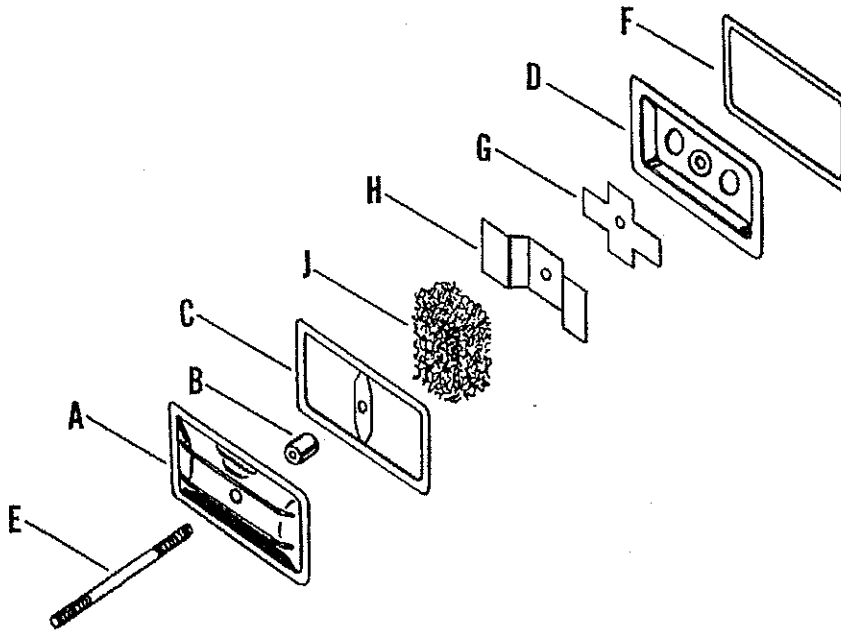
INDEX LETTER	VARIATION NUMBER	PART NUMBER	DESCRIPTION	QTY. REQ'D.
D - Continued				
D1	10	275339	Brace, air cleaner	1
D1	11	275673	Brace, air cleaner	1
D2	12	275715	Brace, air cleaner	1
D3	12	275863	Brace, air cleaner	1
D3	13	275802	Brace, air cleaner	1
D4	15	275811	Brace, air cleaner	1
D5	16	275759	Brace, air cleaner	1
E	11,15,22	275236	Brace, manifold	1
F	22	X-226-2	Nipple	1
G	32	235678	Sock, air cleaner	1
H	23	X-75-14	Plug	1
J	30,31,32	X-276-4	Nut, wing	1
K	30,31,32	A-536	Washer, packing	1
L	30,31,32	235102	Cover, air cleaner	1
M	30,31,32	235116	Element, air cleaner	1
N	30,31,32	275918	Base, air cleaner	1

K331

BAFFLES AND SHROUD



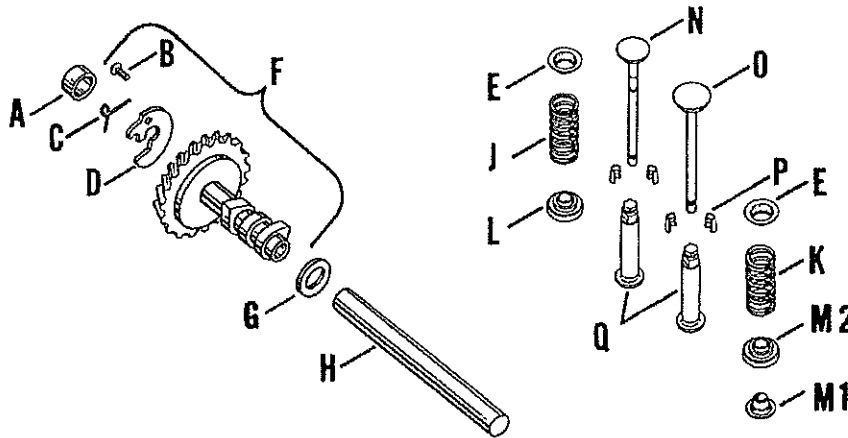
INDEX LETTER	VARIATION NUMBER	PART NUMBER	DESCRIPTION	QTY. REQ'D.
A	1,2,3,4,6,7,8	275160	Baffle, side air	1
B	ALL	275161	Baffle, cylinder air	1
C	1,2,3,4,5,6,7	275184	Baffle, head air	1
	8	275768	Baffle, head air	1
D	1,6,8	275186	Housing, blower (Before E.P. #200744)	1
	2	275671	Housing, blower	1
	3	275317	Housing, blower (After E.P. #200744)	1
	4,7	275291	Housing, blower	1
E	4	275292	Cover, scroll	1
	7	275753	Cover, scroll	1
F	4,7	275293	Scroll, blower	1
G	4,7	275320	Brace, shroud (12 o'clock position)	1
H	4,7	275821	Brace, shroud (3 o'clock position)	1
J	4	275891	Brace, shroud (6 o'clock position)	1



INDEX LETTER	VARIATION NUMBER	PART NUMBER	DESCRIPTION	QTY. REQ'D.
A	ALL	275143	Cover, breather	1
B	ALL	231032	Seal, breather (275028 used before engine serial #946500; electric plant serial #260420)	1
C	ALL	275144	Gasket, cover	1
D	ALL	235051	Plate, breather -- assembly (A-275164 used before engine serial #946500; electric plant serial #260420)	1
E	1,5,7 2	275145 275220	Stud, cover Stud, cover	1 1
F	ALL	235048	Gasket, cover (275144 used before engine serial #946500; electric plant serial #260420)	1
G	5,7	235047	Reed, breather	1
H	5,7	235117	Baffle, breather	1
J	5,7	235118	Filter	1

K331

CAMSHAFT AND VALVES



INDEX LETTER	VARIATION NUMBER	PART NUMBER	DESCRIPTION	QTY. REQ'D.
A	1,2,3,5	275618	Spacer, camshaft	1
B	ALL	230080	Pin, flyweight	2
C	ALL	275267	Spring, spark advance	2
D	ALL	230087	Flyweight	2
E	ALL	270006	Seat, spring	2
F	ALL	A-275268	Camshaft -- assembly (B thru D) ..	1
G	ALL	275066	Spacer, camshaft .005	As Req'd.
	ALL	275067	Spacer, camshaft .010	As Req'd.
H	1,2,3,5	275612	Pin, camshaft	1
	4	275023	Pin, camshaft	1
J	ALL	270171	Spring, exhaust valve	1
K	1,2	270011	Spring, intake valve	1
	3,4,5	270171	Spring, intake valve	1
L	ALL	271743	Rotator, exhaust valve	1
M1	1,2	270012	Retainer, intake spring	1
			(Used before E.P. #200652)	
M2	3,4,5	271743	Rotator, intake valve	1
N	1	275011	Valve, exhaust	1
			(Used before E.P. #200652)	
	2,3,4	275288	Valve, exhaust	1
	5	275784	Valve, exhaust	1



**CAMSHAFT
AND
VALVES**

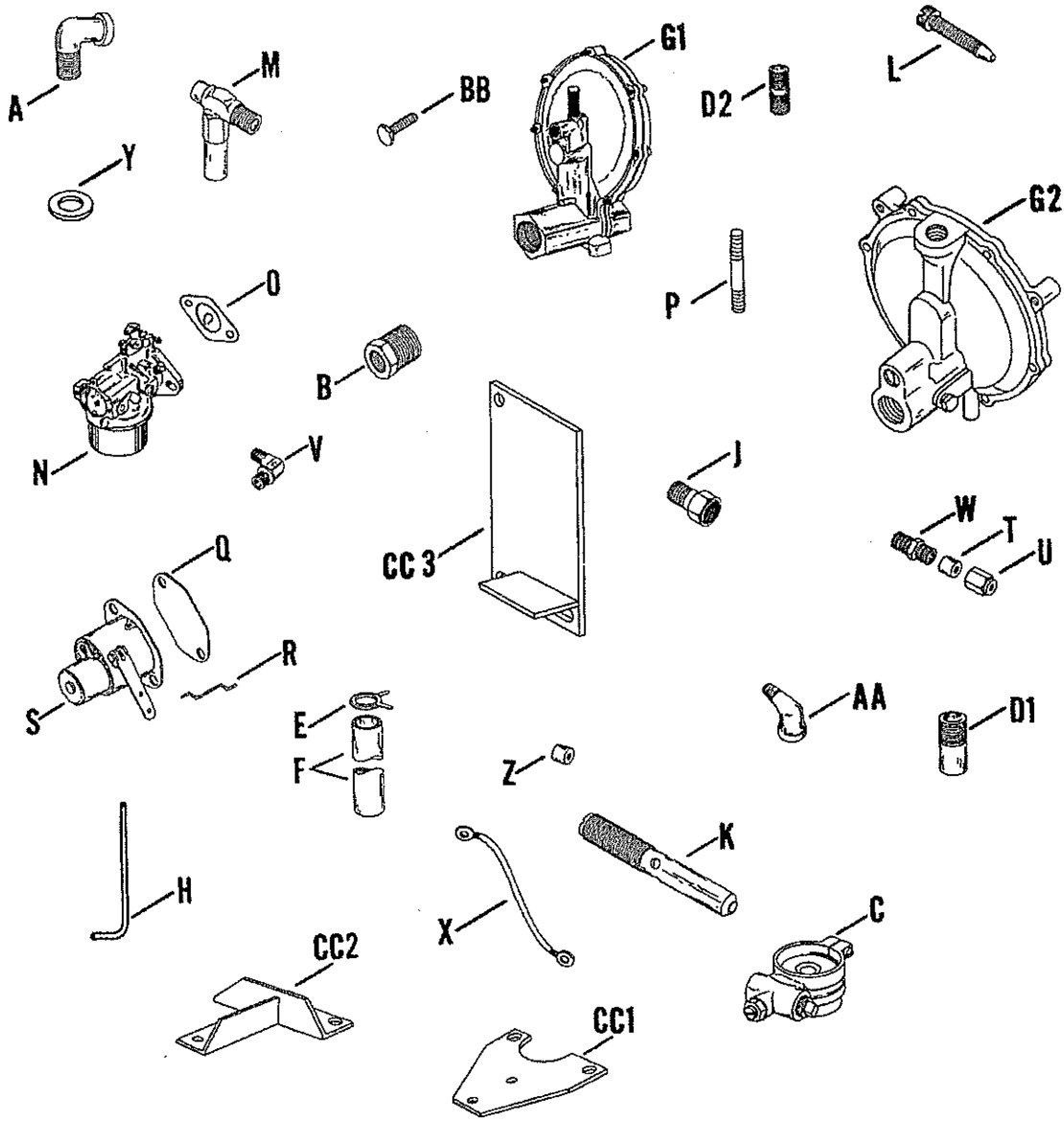
K331

INDEX LETTER	VARIATION NUMBER	PART NUMBER	DESCRIPTION	QTY. REQ'D.
0	1,2,3,4	275010	Valve, intake	1
	5	275807	Valve, intake	1
P	ALL	270013	Keeper, valve	2 pr.
Q	ALL	A-270327	Tappet, valve	2

K331

CARBURETOR

5



INDEX LETTER	VARIATION NUMBER	PART NUMBER	DESCRIPTION	QTY. REQ'D.
A	5,6	S-404	Elbow, street 3/8	2
	7,8,11,12	S-404	Elbow, street 3/8	1
B	5,6,7,8	155008	Bushing, reducer 3/8 x 3/4	2
	11,12	150897	Bushing, reducer 3/8 x 3/4	1
C	5,6,11,12	A-235659	Adapter, gas -- assembly	1
D1	5,6	X-227-1	Nipple 3/8 x 1	2
D1	7,8	X-227-1	Nipple 3/8 x 1	1
D2	11	D-1626	Nipple 3/8 x 1	1
D1	12	X-227-3	Nipple 3/8 x 1-1/2	2



CARBURETOR

K331

INDEX LETTER	VARIATION NUMBER	PART NUMBER	DESCRIPTION	QTY. REQ'D.
E	5,6,7,8,12	X-309-3	Clamp, hose	2
F	5,6,8	X-423-4	Hose	1
	7	X-312-4	Hose	1
	11	266138	Hose	1
	12	X-423-13	Hose	1
G1	5,6,7,8	A-240492	Regulator, fuel - assembly (Incl. H thru J)	1
G2	11,12	A-230695	Regulator, fuel - assembly	1
		231564	Screw, lock off adjusting	1
		231566	Orifice	1
		231567	Gasket, orifice	1
		231568	Spring, lock off adjusting	
		231569	Spring, lock off adjusting (10 lb. inlet pressure)	
		231570	Spring, lock off adjusting (3 - 5 lb. inlet pressure)	
H	5,6,7,8	275299	Line, idle	1
J	11,12	151377	Filter	2
K	7,8	270349	Nozzle, gas	1
L	7,8	150305	Valve, needle	1
M	7,8	220482	Body, valve	1
N	2,6,8	E-275249	Carburetor - assembly	1
	3,26	F-275338	Carburetor - assembly	1
	4,5,7,10,11,12	E-275276	Carburetor - assembly	1
	9	A-275751	Carburetor - assembly	1
O	ALL	275167	Gasket	1
P	4,5,7,10,11,12	275695	Stud, choke 1/4	1
Q	4,5,7,10,11,12	275278	Plate, choke	1
R	4,5,7,10,11,12	275279	Linkage	1
S	4,5,7,11,12	275277	Choke, 12 volt	1
	10	275777	Choke, 24 volt	1
T	2,3,4,9,10,11,12, 26	220547	Sleeve	1
	5,6,7,8	220547	Sleeve	3
U	2,3,4,9,10,11,12, 26	220786	Nut	1
	5,6,7,8	220786	Nut	3

K331

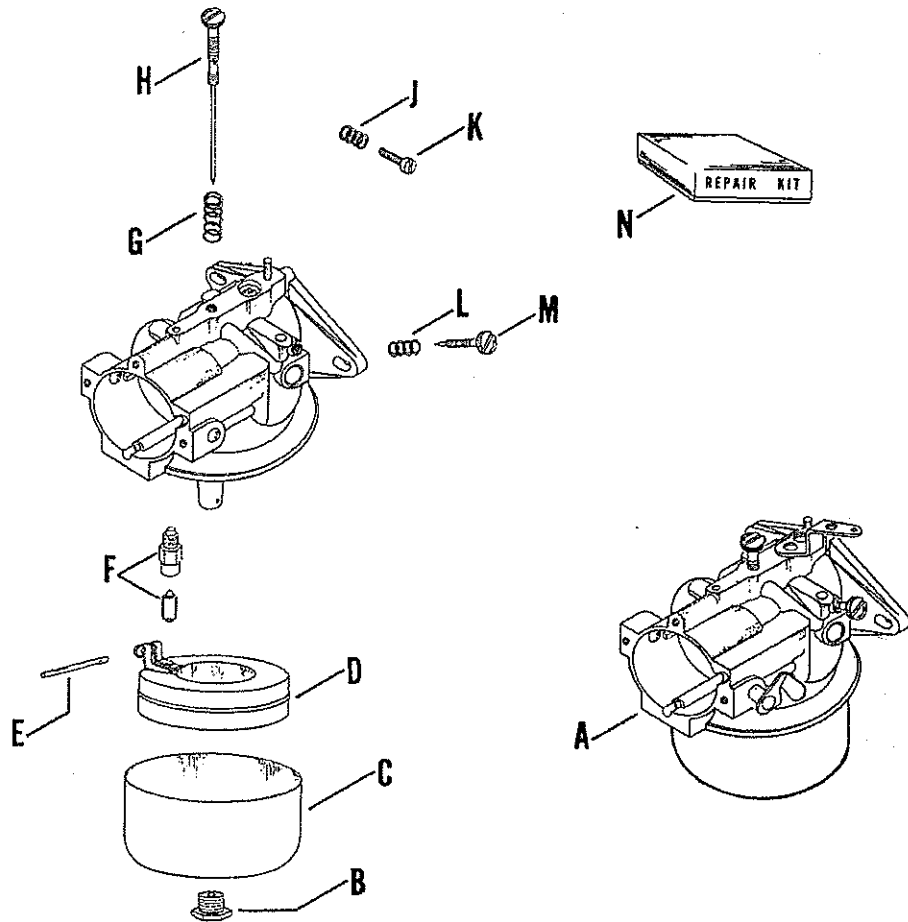
CARBURETOR

5

INDEX LETTER	VARIATION NUMBER	PART NUMBER	DESCRIPTION	QTY. REQ'D.
V	2,3,4,9,10,11,12, 26	231510	Elbow	1
	5,6,7,8	231510	Elbow	2
W	5,6,7,8	231509	Connector	1
X	11,12	LB-1416-1414	Lead	1
Y	11,12	270550	Gasket	1
Z	12	X-400-26	Spacer	2
AA	12	X-211-5	Elbow, street 3/4 x 90°	1
BB	5	223029	Screw, H.C. 5/16 - 18 x 3/4	2
CC1	5,6	275651	Bracket, regulator	1
CC2	7,8	275237	Bracket, regulator	1
CC3	11,12	231471	Bracket, regulator	1

5 CARBURETOR

K331

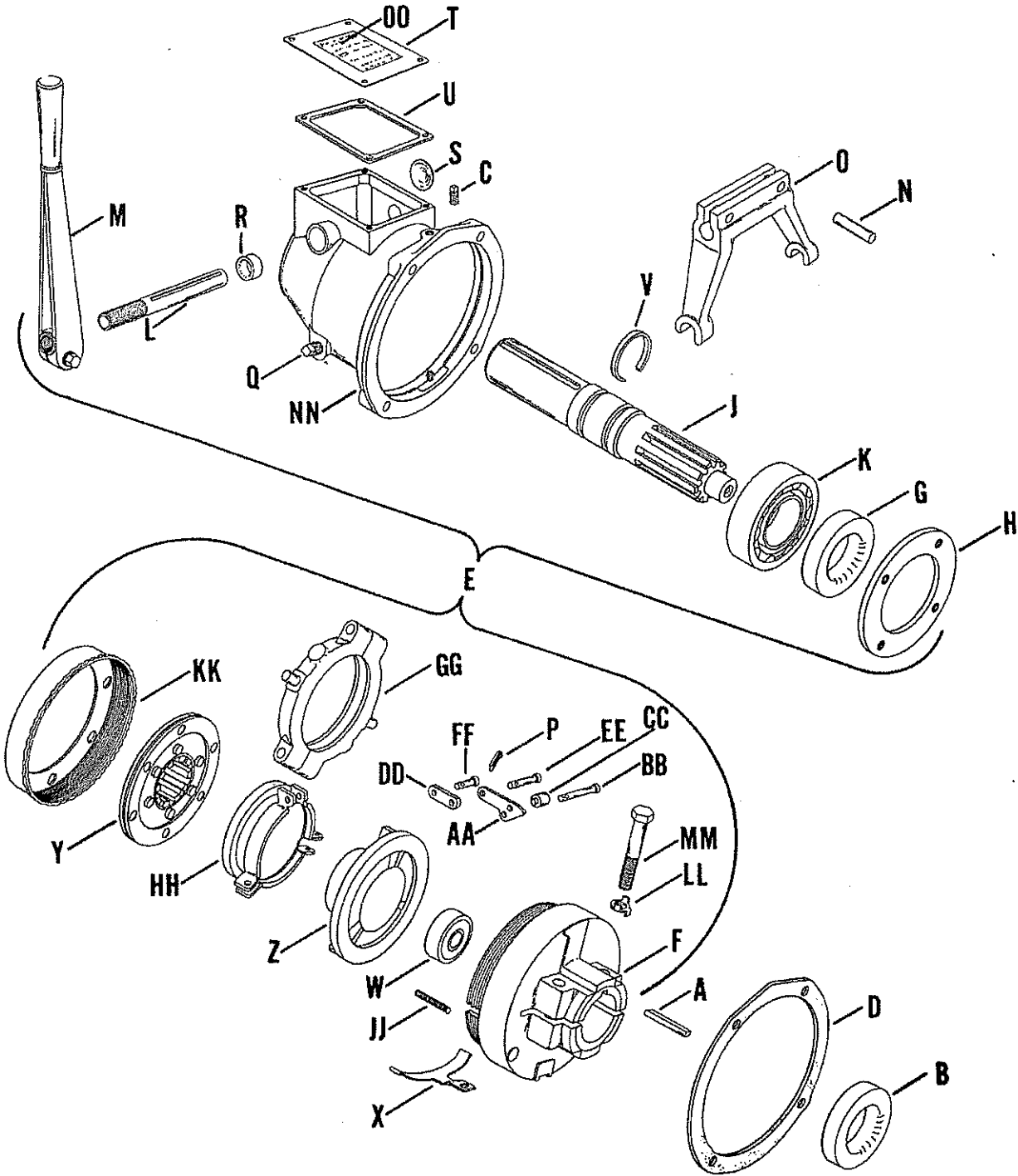


INDEX LETTER	VARIATION NUMBER	PART NUMBER	DESCRIPTION	QTY. REQ'D.
A	2,6,8,9	E-275249	Carburetor - assembly	1
	3,26	F-275338	Carburetor - assembly	1
	4,5,7,10,11,12	E-275276	Carburetor - assembly	1
B	2,4,5,6,7,8,9,10, 11,12	200420	Nut, bowl	1
	3,26	235447	Nut, bowl	1
C	2,4,5,6,7,8,9,10, 11,12	200418	Bowl	1
	3,26	235448	Bowl	1
D	ALL	200408	Float & lever - assembly	1
E	ALL	200376	Pin, float lever	1
F	ALL	200443	Needle & seat - assembly	1
G	ALL	200383	Spring, adjusting needle	1
H	2,4,5,6,7,8,9,10, 11,12	275230	Needle, adjusting - assembly	1

INDEX LETTER	VARIATION NUMBER	PART NUMBER	DESCRIPTION	QTY. REQ'D.
H - Continued				
	3,26	275015	Needle, adjusting - assembly	1
J	ALL	200380	Spring, throttle lever	1
K	ALL	232556	Screw, throttle lever adjusting	1
L	ALL	200381	Spring, idle adjustment	1
M	ALL	275231	Screw, idle adjustment	1
N	2,4,5,6,7,8,9,10, 11,12	275776	Repair kit	1
	3,26	275778	Repair kit	1

6 CLUTCH

K331



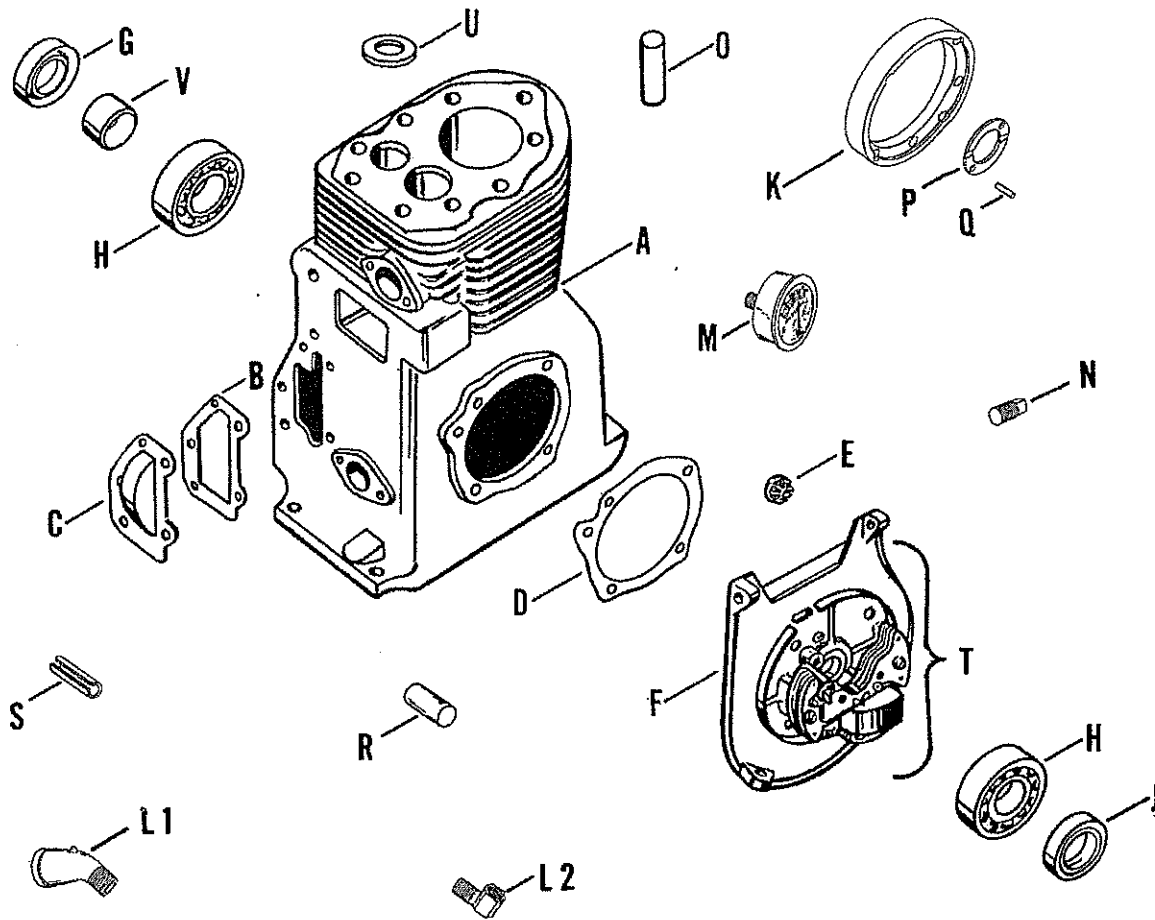
INDEX LETTER	VARIATION NUMBER	PART NUMBER	DESCRIPTION	QTY. REQ'D.
A	ALL	X-286-9	Key, square	1
B	ALL	X-379-2	Seal, oil	1
C	ALL	270219	Plug, vent	1

INDEX LETTER	VARIATION NUMBER	PART NUMBER	DESCRIPTION	QTY. REQ'D.
D	1	274042	Gasket, clutch (275275 used before serial #312752)	1
	2	275275	Gasket, clutch	1
E	1	B-274041	Clutch assembly (A-274007 used before serial #312752)	1
	2	A-274007	Clutch assembly	1
F	1	234041	Housing, clutch	1
G	ALL	234038	Seal, oil	1
H	ALL	234036	Plate, bearing retainer	1
J	ALL	234039	Shaft, drive	1
K	ALL	234035	Bearing, ball	1
L	1	274117	Shaft, yoke	1
	2	234025	Shaft, yoke	1
M	1	234144	Lever, shifting	1
	2	A-234026	Lever, shifting	1
N	1	274101	Pin, roll	1
O	1	274102	Yoke, clutch	1
	2	234027	Yoke, clutch	1
P	ALL	X-36-4	Pin, cotter 1/16 x 3/8	9
Q	ALL	X-75-2	Plug, pipe 1/4	2
R	ALL	X-271-19	Seal, oil	1
S	ALL	153587	Plug, welch 1-1/4	1
T	ALL	234032	Cover, clutch	1
U	ALL	234033	Gasket, clutch cover	1
V	ALL	234037	Ring, snap	2
W	ALL	234042	Bearing, pilot	1
X	ALL	234043	Lock, adjusting	1
Y	ALL	A-234044	Member, driven assembly	1
Z	ALL	A-234045	Plate, pressure -- assembly	1
AA	ALL	234046	Lever, pressure plate	6

6 CLUTCH

K331

INDEX LETTER	VARIATION NUMBER	PART NUMBER	DESCRIPTION	QTY. REQ'D.
BB	ALL	234047	Pin, lever	3
CC	1	234048	Roller	3
DD	ALL	234050	Link, connecting	6
EE	ALL	234051	Pin, link (long)	3
FF	ALL	234052	Pin, link (short)	3
GG	ALL	A-234053	Bearing, release -- assembly	1
HH	ALL	234054	Sleeve, release	1
JJ	ALL	234055	Spring, return	3
KK	ALL	234056	Ring, adjusting	1
LL	ALL	234057	Lock, screw	2
MM	ALL	234073	Screw, H.C. 5/16 - 18 x 5/8	1
NN	1	234074	Housing, power take-off	1
	2	234031	Housing, power take-off	1
OO	1	234089	Plate, instruction	1
	2	234034	Plate, instruction	1



INDEX LETTER	VARIATION NUMBER	PART NUMBER	DESCRIPTION	QTY. REQ'D.
A	1,8,9,11,15,18,23, 27,29	A-275600	Block, cylinder (Incl. O,U & V)	... 1
	3	A-275720	Block, cylinder (Incl. O,U & V)	... 1
	4	A-275721	Block, cylinder (Incl. O,U & V)	... 1
	6	A-275650	Block, cylinder (Incl. O,U & V)	... 1
	7	A-275688	Block, cylinder (Incl. O,U & V)	... 1
	10	A-275726	Block, cylinder (Incl. O,U & V)	... 1
	13	A-275013	Block, cylinder (Incl. F,H & O)	... 1
	14	A-275639	Block, cylinder (Incl. O,U & R)	... 1
	17	A-275719	Block, cylinder (Incl. O,U & V)	... 1
	32	A-275920	Block, cylinder (Incl. O,U & V)	... 1
B	1,3,4,6,7,8,9,10, 11,15,17,23,27,29, 32	275617	Gasket, cover	1
C	1,3,4,6,7,8,9,10, 11,15,17,23,27,29, 32	275616	Cover, camshaft	1

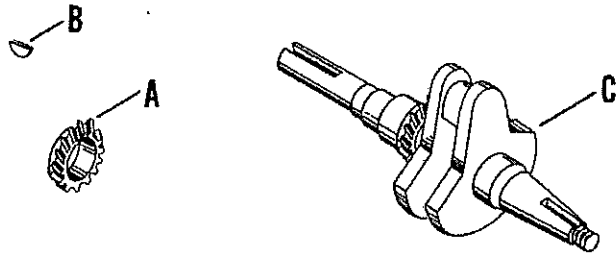
7

CRANKCASE

K331

INDEX LETTER	VARIATION NUMBER	PART NUMBER	DESCRIPTION	QTY. REQ'D.
D	1,3,4,6,7,8,9,10, 11,15,17,23,27,29, 32	275747	Gasket, bearing plate (.020)	As Req'd.
	1,3,4,6,7,8,9,10, 11,15,17,23,27,29, 32	275628	Gasket, bearing plate (.005)	As Req'd.
	1,3,4,6,7,8,9,10, 11,15,17,23,27,29, 32	275622	Gasket, bearing plate (.010)	As Req'd.
	13,14	275098	Gasket, bearing plate (.010)	As Req'd.
	13,14	275217	Gasket, bearing plate (.005)	As Req'd.
E	ALL	X-301-1	Button, plug	1
F	1,3,4,6,7,8,10	275611	Plate, bearing	1
			(Scintilla magneto only)	
	9,15	275322	Plate, bearing	1
	13	275027	Plate, bearing	1
G	1,3,4,9,11,15,17, 23,32	X-379-2	Seal, rear oil	1
			(X-271-13 used before engine serial #302892)	
	6,7,8,10	X-379-3	Seal, rear oil	1
	13,14	X-271-14	Seal, rear oil	1
	27,29	X-379-8	Seal, rear oil	1
H	1,3,4,6,7,8,9,10, 11,15,17,23,27,29, 32	275250	Bearing, ball	2
	13	275083	Bearing, sleeve - std.	2
		275084	Bearing, sleeve - .010 U	2
		275085	Bearing, sleeve - .020 U	2
		275086	Bearing, sleeve - .030 U	2
J	ALL	X-271-13	Seal, front oil	1
K	3	275621	Pad, pump adapter	1
L1	6,7,8,10,23,29	X-274-4	Elbow, street	1
L2	15	AC-1457	Elbow, street	1
M	6,7,8,10,13,14,15, 23,29	240981	Gauge, pressure	1
N	9	X-75-17	Plug, pipe 1/8	1
O	ALL	275007-S	Guide, valve	2

INDEX LETTER	VARIATION NUMBER	PART NUMBER	DESCRIPTION	QTY. REQ'D.
P	13,14	275019	Washer, thrust	2
Q	13,14	270020	Dowel	4
R	14	X-293-2	Bearing, needle	1
S	11,17,23,27,29,32 .	X-280-6	Roll-pin (Phelon magneto only)	2
T	11,17,23,27,29,32 .	A-275727	Plate, bearing - assembly,..... (Phelon magneto only) (Serviceable parts for stator are listed in Group 18 under letters K3 & L2)	1
U	1,3,4,6,7,8,9,10, 11,14,15,23,27,29, 32	270040-S	Insert, valve seat	1
V	1,3,4,5,7,8,9,10, 11,15,17,23,27,29, 32	275626 275805 275806	Sleeve, transfer	1
			Sleeve, transfer .010 undersize	
			Sleeve, transfer .020 undersize	



INDEX LETTER	VARIATION NUMBER	PART NUMBER	DESCRIPTION	QTY. REQ'D.
A	1,2,4,5,6,7,8,9, 10,11,12,15,16, 25	275629	Gear, crankshaft	1
			(Prior to engine serial #760000 & E.P. serial #249800)	
	20	275138	Gear, crankshaft	1
			(Prior to engine serial #760000 & E.P. serial #249800)	
B	ALL	X-43-1	Key, woodruff #3	1
			(Prior to engine serial #760000 & E.P. serial #249800)	
C	1	A-275624-S	Crankshaft -- assembly	1
			(Incl. A & B)	
	2	A-275642-S	Crankshaft -- assembly	1
			(Incl. A & B)	
	4	A-275620-S	Crankshaft -- assembly	1
			(Incl. A & B)	
	5	A-275645-S	Crankshaft -- assembly	1
			(Incl. A & B)	
	6	A-275659-S	Crankshaft -- assembly	1
			(Incl. A & B)	
	7	A-275657-S	Crankshaft -- assembly	1
			(Incl. A & B)	
8	A-275653-S	Crankshaft -- assembly	1	
		(Incl. A & B)		
9	A-275660-S	Crankshaft -- assembly	1	
		(Incl. A & B)		
10	A-275269-S	Crankshaft -- assembly	1	
		(Incl. A & B)		
11	A-275648-S	Crankshaft -- assembly	1	
		(Incl. A & B)		
12	A-275323-S	Crankshaft -- assembly	1	
		(Incl. A & B)		
15	A-275640-S	Crankshaft -- assembly	1	



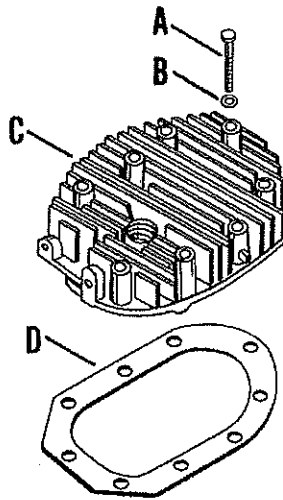
INDEX LETTER	VARIATION NUMBER	PART NUMBER	DESCRIPTION	QTY. REQ'D.
--------------	------------------	-------------	-------------	-------------

C - Continued

16	A-275722-S	Crankshaft -- assembly (Incl. A & B)	1
19	A-275730-S	Crankshaft -- assembly (Incl. A & B)	1
20	A-275251-S	Crankshaft -- assembly (Incl. A & B)	1
25	A-275830-S	Crankshaft -- assembly (Incl. A & B)	1
27	A-275654-S	Crankshaft -- assembly (Incl. A & B)	1
30	A-275972-S	Crankshaft -- assembly (Incl. A & B)	1
32	A-275917-S	Crankshaft -- assembly (Incl. A & B)	1
33	A-275932-S	Crankshaft -- assembly (Incl. A & B)	1
35	A-275958-S	Crankshaft -- assembly (Incl. A & B)	1

9 CYLINDER
HEAD

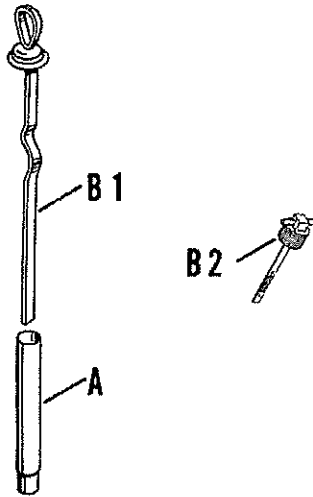
K331



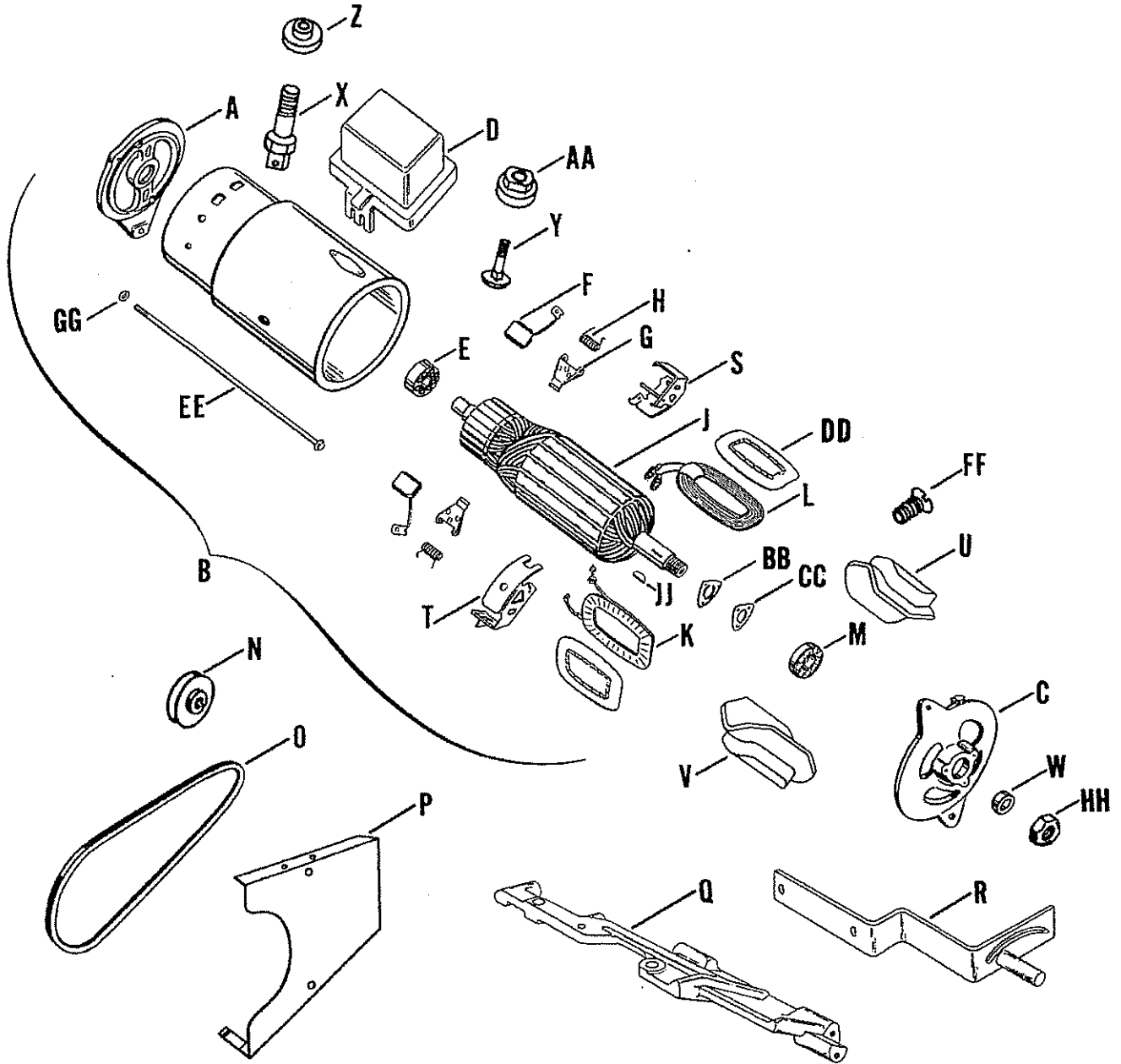
INDEX LETTER	VARIATION NUMBER	PART NUMBER	DESCRIPTION	QTY. REQ'D.
A	1	275196	Screw, H.C.	2
	1	235175	Screw, H.C. 3/8 - 16 x 2-1/2	7
	2	235175	Screw, H.C. 3/8 - 16 x 2-1/2	9
B	1,2	270889	Washer	9
C	1,2	B-275336	Head, cylinder	1
D	1,2	275156	Gasket, head	1

K331

DIPSTICK 10



INDEX LETTER	VARIATION NUMBER	PART NUMBER	DESCRIPTION	QTY. REQ'D.
A	1	275875	Tube, oil fill	1
			(Use 275100 before engine #307448; E.P. #199005)	
B1	1	A-275872	Dipstick	1
			(Use A-275105 before engine #307448; E.P. #199005)	
B2	2	275817	Dipstick	1

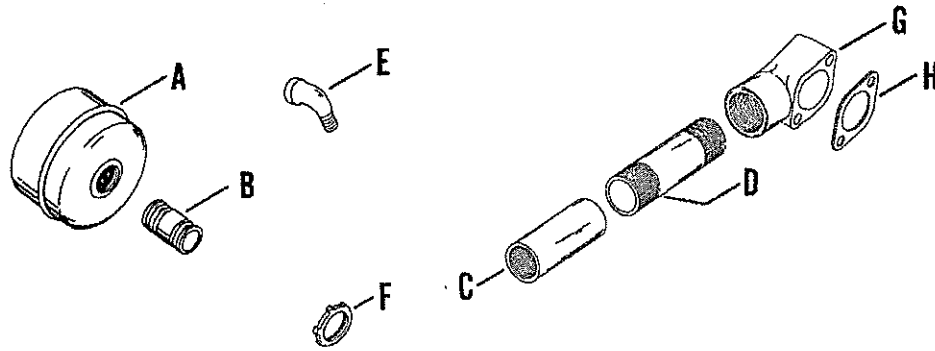


INDEX LETTER	VARIATION NUMBER	PART NUMBER	DESCRIPTION	QTY. REQ'D.
A	ALL	275922	Frame, commutator end	1
B	1	B-275703	Starter - generator assembly	1
	2	B-275847	Starter - generator assembly	1
C	ALL	275924	Frame, drive end	1

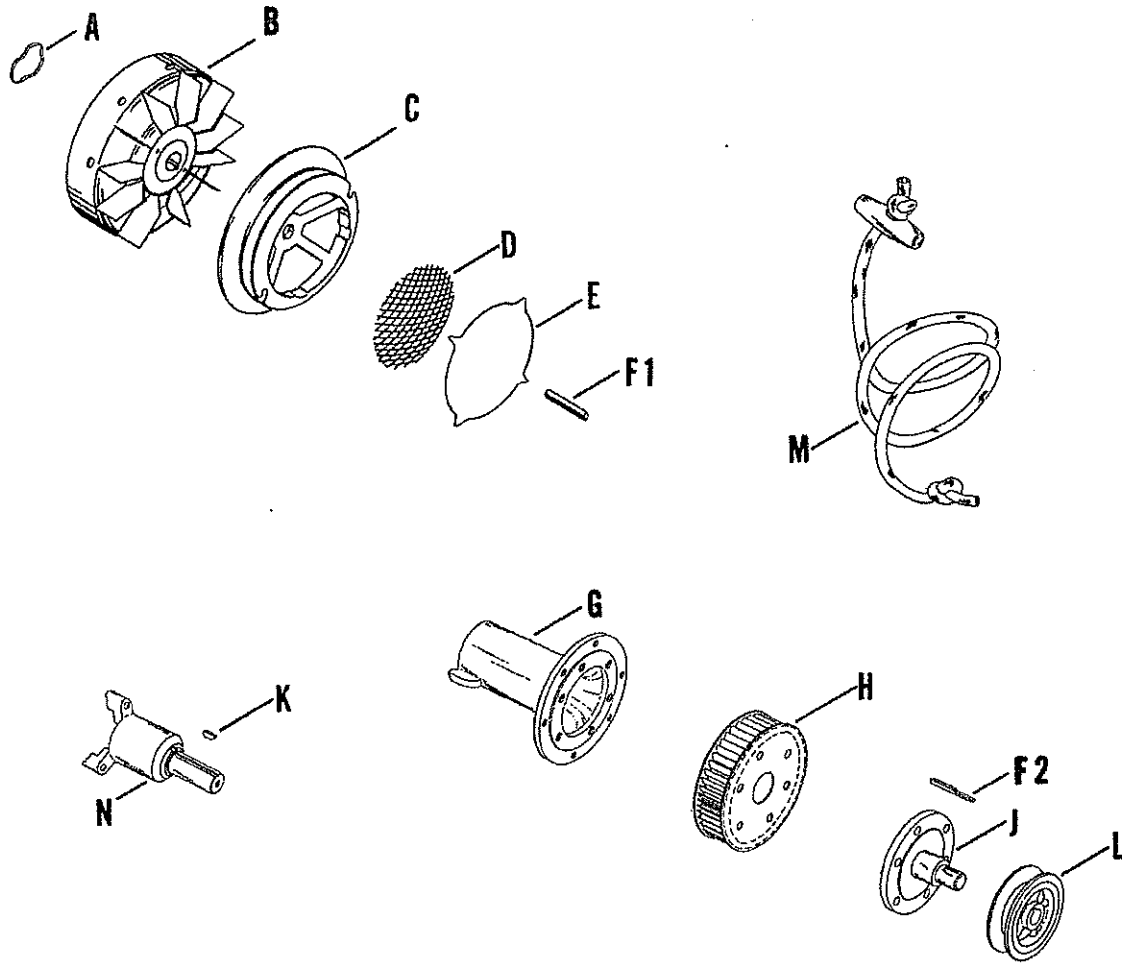
INDEX LETTER	VARIATION NUMBER	PART NUMBER	DESCRIPTION	QTY. REQ'D.
D	1	275746	Regulator, voltage	1
E	ALL	230813	Bearing, ball	1
F	ALL	275741	Brush	2
G	ALL	275743	Arm, brush	2
H	ALL	275742	Spring, brush	2
J	ALL	A-275738	Armature -- assembly	1
K	ALL	275740	Coil, L.H. field	1
L	ALL	275739	Coil, R.H. field	1
M	ALL	270311	Bearing, ball	1
N	ALL	275669	Pulley, generator	1
O	ALL	275712	Belt, generator	1
P	ALL	275668	Guard, belt	1
Q	ALL	275666	Bracket, bottom starter	1
R	ALL	275667	Bracket, top starter	1
S	ALL	231306	Holder, ground brush	1
T	ALL	231307	Holder, insulator brush	1
U	ALL	275969	Shoe, pole - plain	1
V	ALL	275970	Shoe, pole - notched	1
W	ALL	275971	Collar, space D.E.	1
X	ALL	275972	Stud, terminal "A"	1
Y	ALL	275973	Stud, terminal "F"	1
Z	ALL	275974	Bushing, insul. - terminal "A"	1
AA	ALL	275975	Bushing, insul. - terminal "F"	1
BB	ALL	275976	Plate, retainer D.E.	1
CC	ALL	231312	Gasket, bearing retainer	1
DD	ALL	231794	Insulator, field coil	1

11**ELECTRIC
START****K331**

INDEX LETTER	VARIATION NUMBER	PART NUMBER	DESCRIPTION	QTY. REQ'D.
EE	ALL	231314	Bolt, thru	2
FF	ALL	275984	Screw, pole shoe	2
GG	ALL	275980	Washer, lock - thru bolt	2
HH	ALL	275962	Nut, shaft D.E.	1
JJ	ALL	275990	Key, woodruff	1

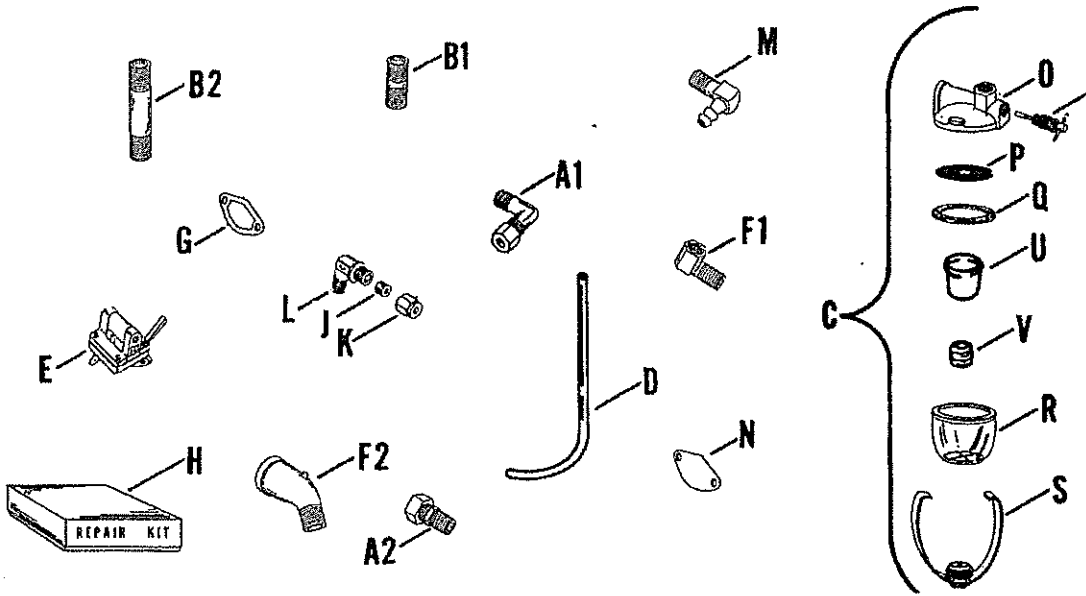


INDEX LETTER	VARIATION NUMBER	PART NUMBER	DESCRIPTION	QTY. REQ'D.
A	1,2,3,6,7	275679	Muffler	1
B	1,3,6,7	AC-1417	Nipple 1 x 2-1/2	1
C	3	X-216-12	Coupling 1	1
D	2	EH-2230	Nipple 1 x 1-1/2	1
	3	S-518	Nipple 1 x 3	1
E	2	151385	Elbow, street 1 x 90°	1
	7	X-274-10	Elbow, street 1 x 45°	1
F	2,7	AC-1536	Nut, lock 1"	1
G	3,4,6	275273	Elbow, exhaust	1
	5	275328	Elbow, exhaust	1
H	3,4,5,6	275271	Gasket, elbow	1



INDEX LETTER	VARIATION NUMBER	PART NUMBER	DESCRIPTION	QTY. REQ'D.
A	1,3,5,6	275137	Washer, tension (With Scintilla magneto only)	1
B	1,2	275136	Flywheel (With Scintilla magneto only)	1
	4	A-275663	Flywheel -- assembly (With Phelon magneto only)	1
	3,5,6	275290	Flywheel (With Scintilla magneto only)	1
		A-275676	Flywheel -- assembly (With Phelon magneto only)	1
	13	A-275871	Flywheel -- assembly	1
	16	A-275929	Flywheel -- assembly	1
C	1,2,4,13	275672	Pulley, starter	1
D	1,2,4	275033	Screen, grass	1
	13	275859	Screen, grass	1

INDEX LETTER	VARIATION NUMBER	PART NUMBER	DESCRIPTION	QTY. REQ'D.
E	1,2,4,13	275148	Retainer, screen NOTE: Before engine serial #316769 use one each of X-19-1 washer, X-25-7 washer, X-50-17 screw and 275034 spacer in place of 275148 retainer.	1
F1	1,2,3,5,6,13	X-366	Key (With Scintilla magneto only) .	1
F2	4,16	275347	Key (With Phelon magneto only)	1
G	3	275294	Support, rotor	1
	5,6	275700	Support, rotor	1
H	3,5,6	275289	Blower	1
J	5	A-275699	Support, pulley	1
K	5	X-43-3	Key, woodruff #5	1
L	5	250039	Pulley, front drive	1
M	ALL	A-275181	Rope, starting	1
N	13	275857	Extension, front drive	1



INDEX LETTER	VARIATION NUMBER	PART NUMBER	DESCRIPTION	QTY. REQ'D.
A1	2,6,8	A-822	Elbow, compression 1/4 tube x 1/8 I.P.	1
A2	7	A-823	Connector 1/4 tube x 1/8 I.P.	1
B1	2,4,7	X-217-7	Nipple 1/8 x 1	1
B2	8	167196	Nipple 1/8 x 2-1/2	1
C	2,4,8	A-210101	Filter, fuel (Incl. O thru T)	1
	7	A-201073	Filter, fuel (Incl. O,Q,R,S,U & V)	1
D	1,2,3,4,6,7,8,13	275089	Line, fuel	1
E	1,2,3,4,6,7,8,13	A-275361	Pump, fuel -- assembly (w/priming lever)	1
F1	2,4,7	AC-1457	Elbow, street 1/8"	1
F2	8	X-274-4	Elbow 1/8 x 45°	1
G	ALL	240281	Gasket, pad	1
H	1,2,3,4,6,7,8,13	275366	Kit, fuel pump repair	1
J	1,4	220547	Sleeve	2
	2,3,6,7,8,13	220547	Sleeve	1
K	1,4	220786	Nut	2
	2,3,6,7,8,13	220786	Nut	1
L	1,4	231510	Elbow	2
	2,3,6,7,8,13	231510	Elbow	1

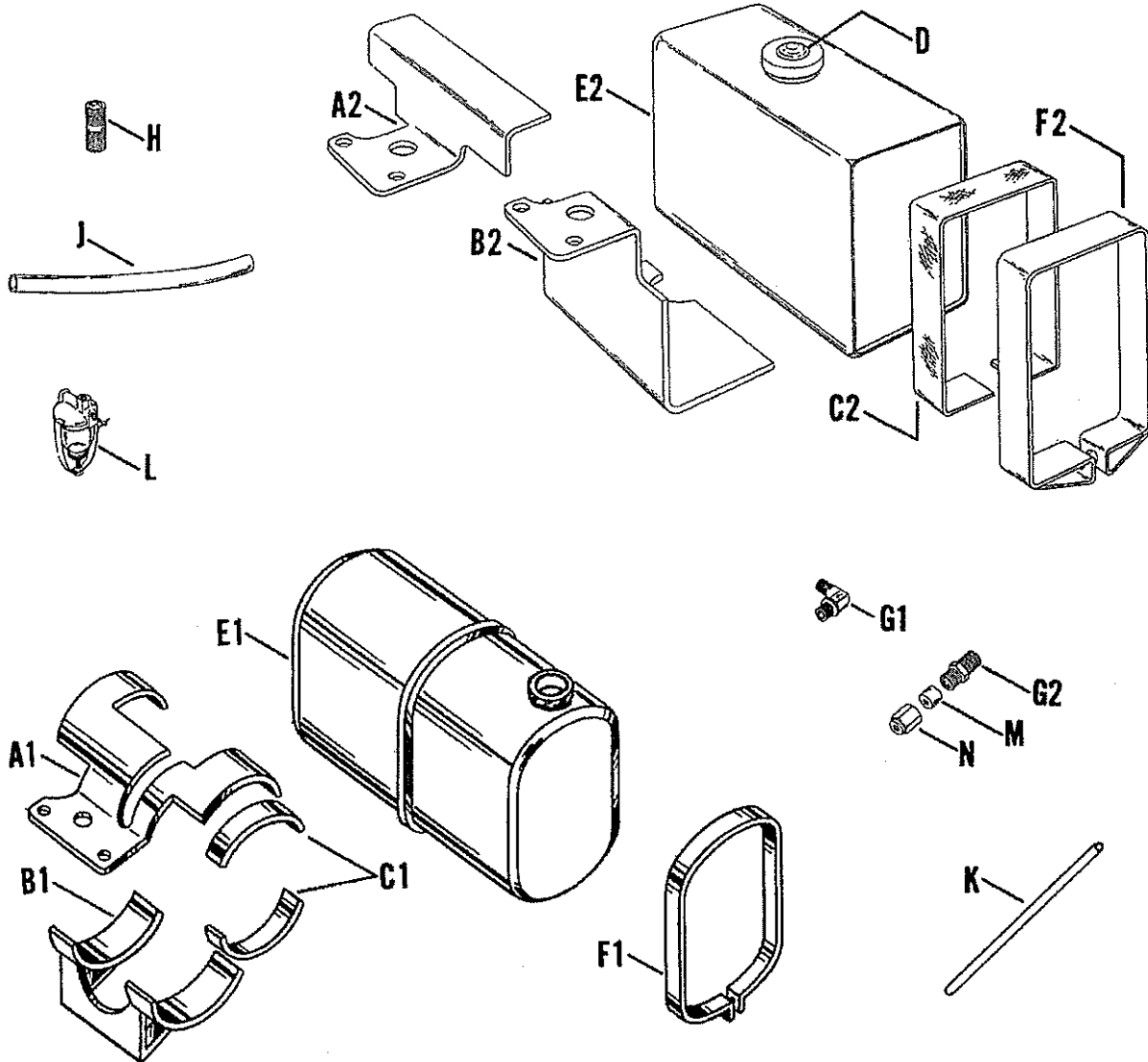
K331

FUEL PUMP 14

INDEX LETTER	VARIATION NUMBER	PART NUMBER	DESCRIPTION	QTY. REQ'D.
M	13	X-439-1	Elbow, hose	1
N	5	240282	Cover, pump pad	1
Q	1,3	210478	Top, filter	1
	7	270785	Top, filter	1
P	1,3	210479	Screen, filter	1
Q	1,3	210468	Gasket, filter bowl	1
	7	270690	Gasket, filter bowl	1
R	1,3	210467	Bowl, glass	1
	7	270691	Bowl, glass	1
S	1,3	A-210477	Bail -- assembly	1
	7	270784	Bail -- assembly	1
T	1,3	A-210480	Valve, needle -- assembly	1
U	7	270782	Element, ceramic	1
V	7	270783	Spring, filter retaining	1

15 FUEL TANK

K331

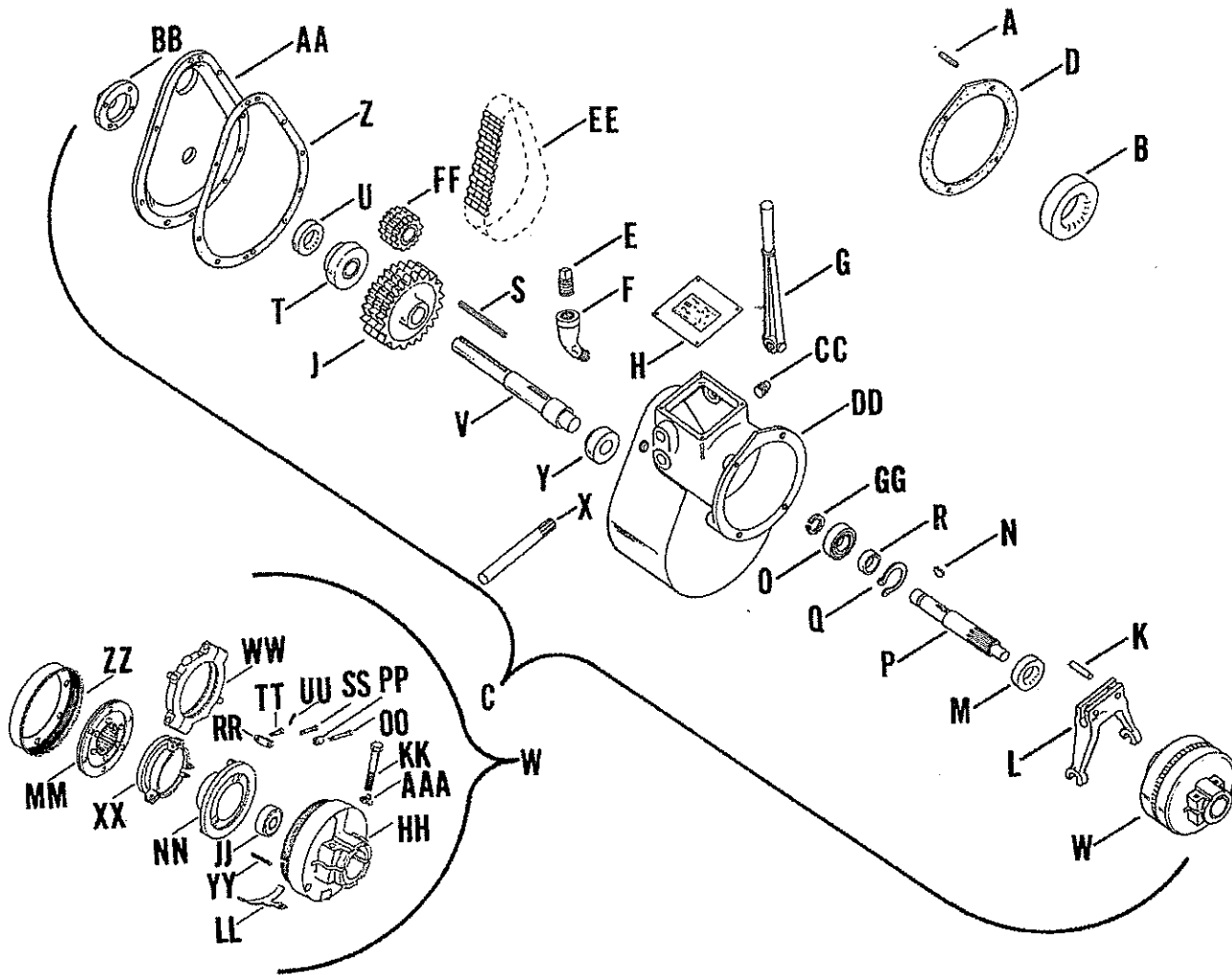


INDEX LETTER	VARIATION NUMBER	PART NUMBER	DESCRIPTION	QTY. REQ'D.
A1	1,2,5	275264	Bracket, upper	1
A2	3	275014	Bracket, upper	1
B1	1,2,5	275265	Bracket, lower	1
B2	3	275189	Bracket, lower	1
C1	1,2,5	X-295-9	Webbing	4
C2	3	X-295-3	Webbing	2
D	1,2,3,5	200099	Cap, tank	1
E1	1,2,5	275266	Tank, fuel (Incl. cap) (Replaced 275188 after engine #132755; E.P. #202217)	1

K331

FUEL TANK **15**

INDEX LETTER	VARIATION NUMBER	PART NUMBER	DESCRIPTION	QTY. REQ'D.
E - Continued				
E2	3	275188	Tank, fuel (Incl. cap)	1
F1	1,2,5	275748	Strap, tank	2
F2	3	275190	Strap, tank	2
G1	1,3	231510	Elbow	1
G2	2,5	231509	Connector	1
H	1,3	X-217-6	Nipple 1/8 x 3/4	1
J	1,2,3,5	275219	Sleeve, fuel line	1
K	1	X-294-5	Line, fuel	1
	2,5	275350	Line, fuel	1
	3	275091	Line, fuel	1
L	1,3	A-210101	Filter, fuel -- assembly	1
			(For breakdown see Group 14)	
M	1,2,3,5	220547	Sleeve	1
N	1,2,3,5	220786	Nut	1



INDEX LETTER	VARIATION NUMBER	PART NUMBER	DESCRIPTION	QTY. REQ'D.
A	ALL	X-286-9	Key, square	1
B	ALL	X-379-2	Seal, oil	1
C	2	B-274015	Reduction, gear (w/clutch)	1
	3	B-274012	Reduction, gear (w/clutch)	1
D	ALL	274042	Gasket, clutch	1
E	ALL	X-75-10	Plug, pipe 3/8 (fill)	2
F	ALL	X-211-8	Elbow, street 3/8	1
G	ALL	A-234026	Lever, shifting -- assembly	1
H	ALL	234034	Plate, instruction	1

K331

GEAR
REDUCTION

16

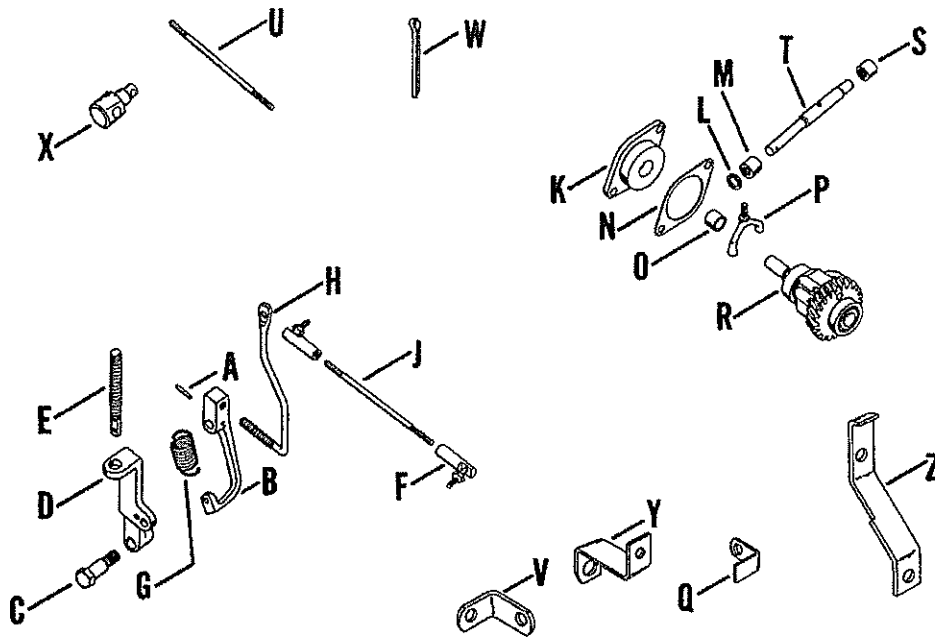
INDEX LETTER	VARIATION NUMBER	PART NUMBER	DESCRIPTION	QTY. REQ'D.
J	2	274100	Sprocket, driven	1
	3	274111	Sprocket, driven	1
K	ALL	274101	Pin, roll	1
L	ALL	274102	Yoke, clutch	1
M	ALL	274103	Seal, oil	1
N	ALL	274106	Key, Hi-Pro	1
O	ALL	274107	Bearing, N.D.	1
P	ALL	274108	Shaft, drive	1
Q	ALL	274109	Ring, snap	1
	3	230305	Ring, snap	1
R	ALL	274110	Spacer	1
S	ALL	274112	Key	1
T	ALL	274113	Bearing	1
U	ALL	274114	Seal, oil	1
V	ALL	274115	Shaft, output	1
W	ALL	A-274116	Clutch -- assembly	1
X	ALL	274117	Shaft, yoke	1
Y	ALL	274118	Bearing	1
Z	ALL	274119	Gasket, hsg. cover	1
AA	ALL	274122	Cover, housing	1
BB	ALL	274123	Cap, bearing	1
CC	ALL	274205	Plug, pipe 3/8 (drain)	1
DD	2	274208	Housing, clutch & gear	1
	3	274121	Housing, clutch & gear	1
EE	2	274098	Chain, roller	1
	3	274104	Chain, roller	1
FF	2	274099	Sprocket, drive	1
	3	274105	Sprocket, drive	1
GG	3	230305	Ring, snap	1

16

GEAR REDUCTION

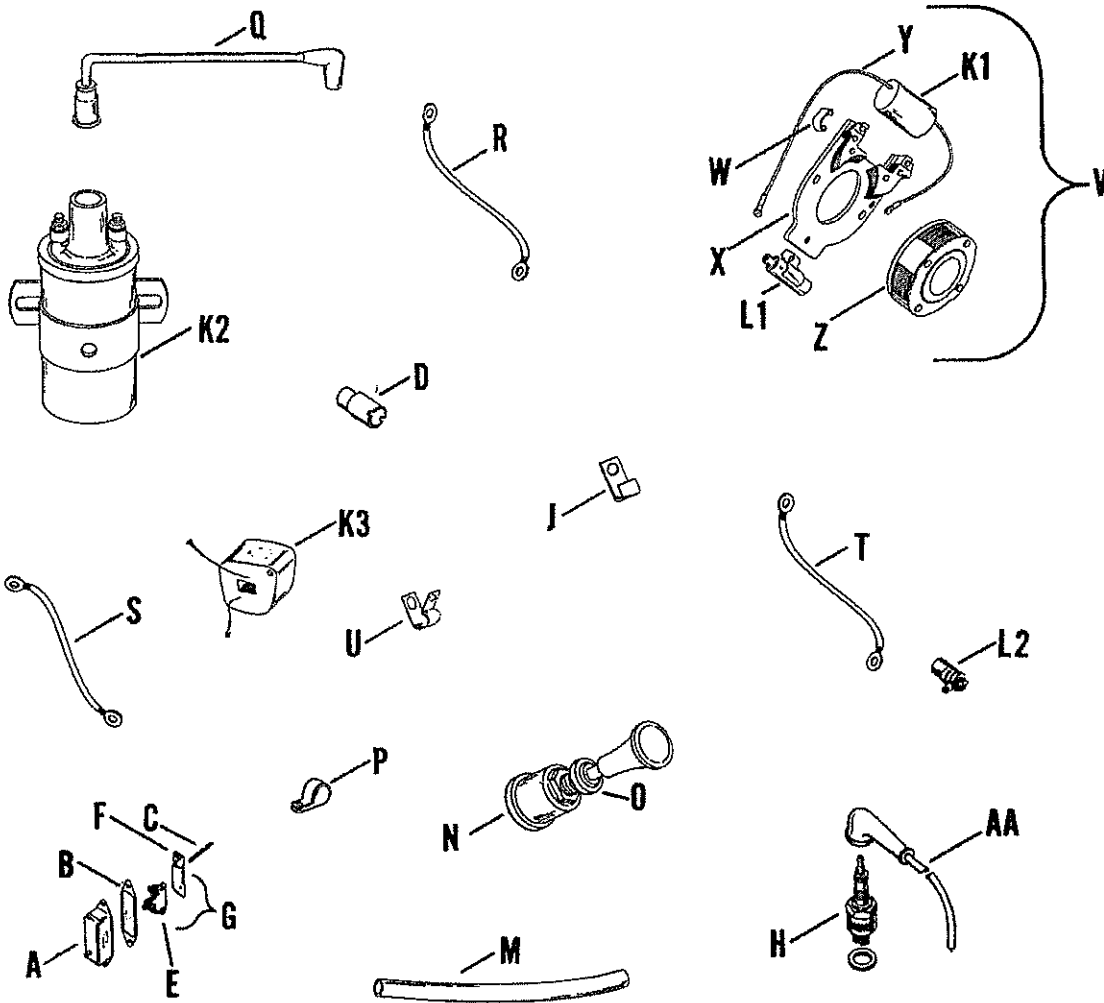
K331

INDEX LETTER	VARIATION NUMBER	PART NUMBER	DESCRIPTION	QTY. REQ'D.
HH	ALL	234041	Housing, clutch	1
JJ	ALL	234042	Bearing, pilot	1
KK	ALL	234073	Screw, H.C. 5/16 - 18 x 5/8	1
LL	ALL	234043	Lock, adjusting	1
MM	ALL	A-234044	Member, driven -- assembly	1
NN	ALL	A-234045	Plate, pressure	1
OO	ALL	234047	Pin, lever	3
PP	ALL	234048	Roller	3
QQ	ALL	X-36-4	Pin, cotter	3
RR	ALL	234050	Link, connecting	6
SS	ALL	234051	Pin, link (long)	3
TT	ALL	234052	Pin, link (short)	3
UU	ALL	X-36-4	Pin, cotter 1/16 x 3/8	6
VV	ALL	274199	Sleeve, release -- assembly	1
WW	ALL	A-234053	Bearing, release	1
XX	ALL	234654	Sleeve, release	1
YY	ALL	234055	Spring, return	3
ZZ	ALL	234056	Ring, adjusting	1
AAA	ALL	234057	Lock, screw	2



INDEX LETTER	VARIATION NUMBER	PART NUMBER	DESCRIPTION	QTY. REQ'D.
A	ALL	X-308-3	Pin, dowel	1
B	ALL	275060	Arm, throttle	1
C	ALL	275058	Stud, control arm	1
D	ALL	275056	Arm, control	1
E	1,2,3,4,5,6,9	275057	Link, spring	1
	8	275915	Link, spring	1
F	1,3,4,6,8,9	275868	Joint, ball	2
	2	275868	Joint, ball	1
	2,5	241074	Joint, ball	1
	5	275062	Joint, ball	1
G	1,2,3,5,6,8,9	275059	Spring, governor	1
H	ALL	275061	Extension, throttle	1
J	ALL	275063	Arm, ball joint	1
K	1,2,3,4,6,8,9	275605	Cover, governor	1
	5	275052	Cover, governor	1
L	ALL	275055	Seal, shaft	1
M	ALL	X-293-3	Bearing, needle	1

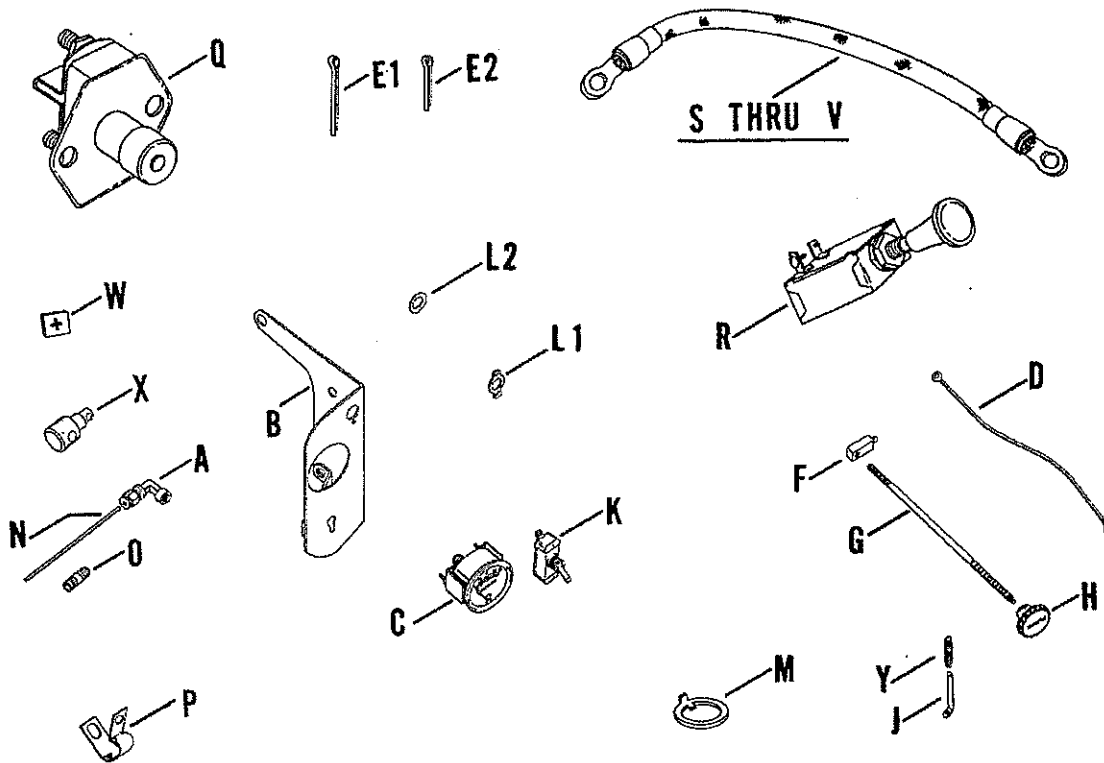
INDEX LETTER	VARIATION NUMBER	PART NUMBER	DESCRIPTION	QTY. REQ'D.
N	ALL	275054	Gasket, cover	1
O	1,2,3,4,6,8,9	275606	Bushing, oilite	1
	5	275053	Bushing, oilite	1
P	1,2,3,4,6,8,9	275604	Yoke, governor	1
	5	275051	Yoke, governor	1
Q	6	275957	Bracket, stop	1
R	1,2,3,4,6,8,9	A-275613	Governor -- assembly	1
	5	A-275040	Governor -- assembly	1
S	ALL	X-293-2	Bearing, needle	1
T	1,2,3,4,6,8,9	275603	Shaft, governor	1
	5	275050	Shaft, governor	1
U	2,5	275221	Rod, speed control	1
V	2,5,6,9	275222	Bracket, control rod	1
W	3,6	X-36-4	Pin, cotter 1/16 x 3/8	1
X	3,6	270803	Connector	1
Y	6	275656	Support, throttle	1
Z	6	275655	Arm, throttle	1



INDEX LETTER	VARIATION NUMBER	PART NUMBER	DESCRIPTION	QTY. REQ'D.
A	1,5,7,9,10,16,18,19	A-220136	Cover, breaker	1
	2,3,4,8	232535	Cover, breaker	1
B	1,2,3,4,5,7,8,9,10,16,18,19	220174	Gasket, cover	1
C	1,2,3,4,5,7,8,16,18,19	X-489-4	Rod, breaker push (For engines before serial #328180 use 275325 kit)	1
	9,10	X-389-3	Rod, breaker push (For E.P.'s before serial #203915 use 275324 kit)	1

INDEX LETTER	VARIATION NUMBER	PART NUMBER	DESCRIPTION	QTY. REQ'D.
D	1,3,4,5,7,8,9,10, 11,16,18,19	275088	Cam, ignition	1
	2	275702	Cam, ignition	1
E	1,2,3,4,5,7,8,9,10, 16,18,19	220475	Points, breaker	1
			(For engines before serial #328180 use 275325 kit)	
			(For E.P.'s before serial #203915 use 275324 kit)	
F	1,2,3,4,5,7,8,9,10, 16,18,19	220476	Bracket, breaker point	1
			(For engines before serial #328180 use 275325 kit)	
			(For E.P.'s before serial #203915 use 275324 kit)	
G	1,2,3,4,5,7,8,9,10, 16,18,19	A-220474	Points, breaker -- assembly	1
			(For engines before serial #328180 use 275325 kit)	
			(For E.P.'s before serial #203915 use 275324 kit)	
H	1,2,3,4,5,7,8,9,10, 18	270321-S	Plug, spark	1
	16,19	232604	Plug, spark	1
J	1,2,4,5,7,8,10,16, 18,19	275182	Clip, cable	1
	3	275303	Clip, cable	1
	9	275303	Clip, cable	2
K1	1,3,4,7,8,9,10	275213	Coil, magneto	1
K2	2	231281	Coil, ignition	1
K3	5,16,18,19	275756	Coil, magneto (stator part)	1
L1	1,3,4,7,8,9,10	275214	Condenser	1
L2	2	230722	Condenser	1
L2	5,16,18,19	220434	Condenser (stator part)	1
M	2	275219	Sleeve, lead	1
N	4,10	223072	Switch, ignition	1
O	4,10	223073	Plate, ignition switch	1
P	1,3,4,5,7,9,16, 18,19	X-339-4	Clip	1
	10	X-339-5	Clip	1

INDEX LETTER	VARIATION NUMBER	PART NUMBER	DESCRIPTION	QTY. REQ'D.
Q	2	A-275709	Lead, spark plug to coil	1
R	2	A-275710	Lead, coil to breaker	1
S	3,9	A-275301	Lead, ground	1
	4,10	A-275316	Lead, ground	1
	18	A-231600	Lead, ground	1
	19	A-275931	Lead, ground	1
T	7	A-275754	Lead, stop switch	1
U	1,3,4,7,8,9,10	275183	Clip, cable	1
	5,16,18,19	275183	Clip, cable	2
V	1,3,4,7,8,9,10	A-275150	Magneto -- assembly	1
			(Incl. K1,L1,W,X,Y & Z)	
W	1,3,4,7,8,9,10	210293	Clamp, coil	2
X	1,3,4,7,8,9,10	275216	Plate, stator	1
Y	1,3,4,7,8,9,10	A-275064	Lead, breaker	1
	5,16,18	A-275772	Lead, breaker	1
	19	A-275930	Lead, breaker	1
Z	1,3,4,7,8,9,10	275215	Magnet, rotating	1
AA	1,3,4,7,8,9,10	A-275065	Cable, hi-tension	1
	5,16,18,19	A-275664	Cable, hi-tension	1



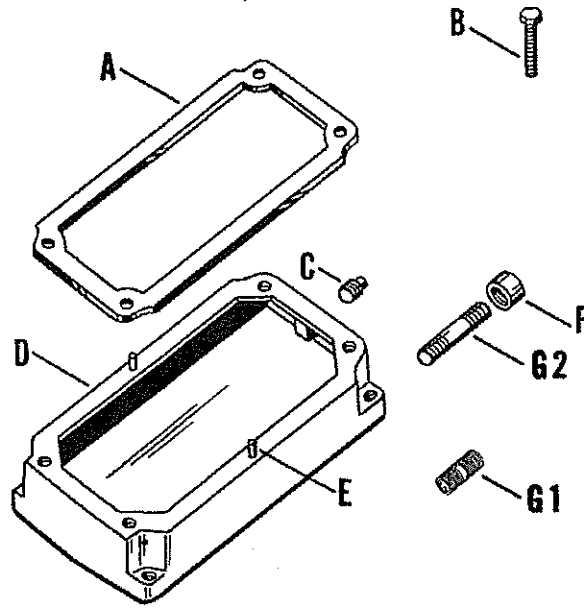
INDEX LETTER	VARIATION NUMBER	PART NUMBER	DESCRIPTION	QTY. REQ'D.
A	1,3,4,10	X-382	Connector	2
B	1,3,10	275252	Panel, instrument	1
	2,5,6,8,11	275674	Panel, instrument	1
	4	275330	Panel, instrument	1
C	1,3,4,10	270231	Gauge, oil	1
D	3,4,6,10,11	LB-1816-2222	Lead, ground	1
E1	1,2,8,10	X-36-1	Pin, cotter 1/16 x 1/2	2
E2	12	X-36-4	Pin, cotter 1/16 x 3/8	1
F	1,2,6,8,10,11	275253	Block, swivel	1
G	1,2,6,8	270408	Rod, throttle	1
H	1,2,6,8,10,11	270414	Knob, throttle	1
J	1,2,6,8,10,11	275260	Clip, spring	1
K	1,3,4,6,10,11	151510-2	Switch, toggle	1

K331

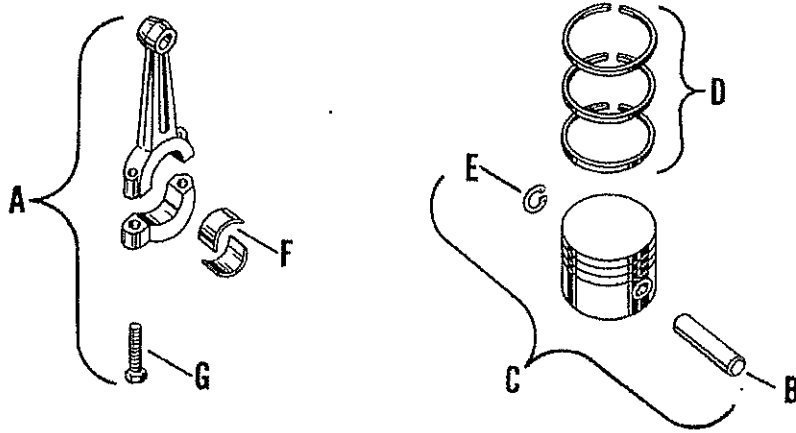
INSTRUMENT
PANEL

19

INDEX LETTER	VARIATION NUMBER	PART NUMBER	DESCRIPTION	QTY. REQ'D.
L1	1,3,4,6,10,11	220725	Plate, ignition	1
L2	2,5	223073	Plate, ignition	1
M	1,3,4,6,10,11	151511	Ring, lock	1
N	1,3,4,10	X-302-14	Line, oil	1
O	1,3,4,10	X-217-7	Nipple 1/8 x 1	1
P	4,5	210149	Clip, throttle	1
Q	2,5,6,11	230442	Starter, button	1
R	2,5	275713	Switch, ignition	1
S	2,5,6,11	LW-1424-1713	Lead, starter button to regulator ..	1
T	2,5,6,11	LA-0621-1615	Lead, starter button to starter	1
U	2,5	LB-1426-2214	Lead, switch to coil	1
V	2,5	LR-1428-1414	Lead, ignition switch to regulator .	1
W	2,5,6,11	201620-93	Tab, plus	1
X	12	270803	Connector, wire	1
Y	1,2,6,8,10,11	270409	Spring, throttle	1



INDEX LETTER	VARIATION NUMBER	PART NUMBER	DESCRIPTION	QTY. REQ'D.
A	1,2,3,4,5,6,11,12	275631	Gasket, pan	1
	8,9,10	275121	Gasket, pan	1
B	1,2,4,6,8,10,12	275191	Screw, H.C. 7/16 - 14 x 1	4
	3,5,9	275191	Screw, H.C. 7/16 - 14 x 1	2
	3,11	275788	Screw, H.C. 7/16 - 14 x 1-1/2	2
	5,9,11	275239	Screw, H.C. 7/16 - 14 x 1-1/4	2
C	1,2,3,11	X-75-24	Plug, pipe 3/4	1
D	1,4,5	275623	Pan, oil	1
	2,3,6,11,12	275638	Pan, oil	1
	8,9	275123	Pan, oil	1
	10	275319	Pan, oil	1
E	ALL	X-308-2	Dowel	2
F	4,5,8,9,10,12	X-268-1	Cap, pipe 3/4	1
G1	4,5,12	X-206-10	Nipple 3/4 x 2-3/16	1
G1	8,9	X-206-2	Nipple 3/4 x 2	1
G2	10	X-206-15	Nipple 3/4 x 6	1

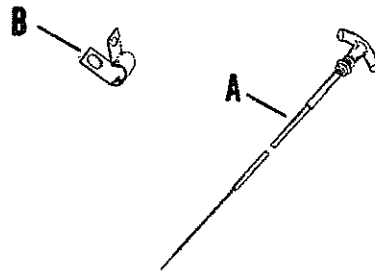


INDEX LETTER	VARIATION NUMBER	PART NUMBER	DESCRIPTION	QTY. REQ'D.
A	ALL	A-271741	Rod, connecting (Incl. G)	1 ✓
B	ALL	270056 270058	Pin, piston - std. Pin, piston - .005 O.S.	1
C	ALL	A-270024 A-270026 A-270030 A-270032	Piston -- assembly - std. (Incl. B & E) Piston -- assembly - .010 (Incl. B & E) Piston -- assembly - .020 (Incl. B & E) Piston -- assembly - .030 (Incl. B & E)	1 4987404 ✓
D	ALL	275311 275312 275313 275314	Ring set - std. Ring set - .010 Ring set - .020 Ring set - .030	1
	ALL	271508 271509 271510 271511	Ring set - std. (service) Ring set - .010 (service) Ring set - .020 (service) Ring set - .030 (service)	
E	ALL	X-296-16	Retainer, pin	2
F	ALL	271414 270076 270077 270078	Bearing, connecting rod - std. Bearing, connecting rod - .002 U Bearing, connecting rod - .010 U Bearing, connecting rod - .020 U	1 pr. 4875508-5
G	ALL	275036	Screw, connecting rod	2

24

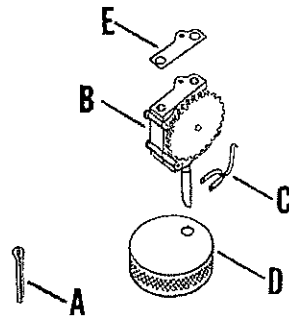
REMOTE THROTTLE

K331



INDEX LETTER	VARIATION NUMBER	PART NUMBER	DESCRIPTION	QTY. REQ'D.
A	1,2	270805-1	Cable, throttle (72 inch)	1
	3	270805-2	Cable, throttle (48 inch)	1
B	1	210149	Clip, cable	1
	2,3	275329	Clip, cable	1

K331



INDEX LETTER	VARIATION NUMBER	PART NUMBER	DESCRIPTION	QTY. REQ'D.
A	ALL	X-36-2	Pin, cotter 1/16 x 3/4	1
B	1	A-275961	Pump, oil -- assembly	1
	2	A-275101	Pump, oil -- assembly	1
C	1	275632	Clip, oil tube	1
	2	270085	Clip, oil tube	1
D	ALL	A-275099	Strainer, oil -- assembly	1
E	1	275864	Shim, pump	As Req'd.

ACCESSORIES

<u>Spec. No.</u>	<u>Part No.</u>	<u>Description</u>	<u>Qty.</u>
3835	275266	Tank, fuel	1
3857	A-210101	Filter, fuel	1
	270231	Gauge, oil	1
3868	151834	Cleaner, air	1
	240255	Joint, ball	2
	A-240492	Regulator	1
	270408	Rod	1
	270414	Knob	1
	A-274055	Crank	1
	275063	Rod	1
	275253	Block	1
	275347	Key	1
	275679	Muffler	1
3883	223072	Switch, ignition	1
3888	A-210101	Filter, fuel	1
38136	250081	Clamp, hose	2
	271327	Clamp, saddle	1
	A-275825	Cleaner, air	1
	275826	Cap, inlet	1
	285112	Hose, flex	1
	230442	Switch, start	1
	275713	Switch	1
	231075	Regulator	1
38179	270952	Regulator, voltage	1
38186	X-386-20	Line, fuel 20"	1
	X-495-1	Connector	1
	AC-1536	Nut, lock	1
	A-210101	Filter, fuel	1
	275679	Muffler	1

SCREWS

#6 - 32 x 5/16	R.H.M.	X-49-1
#8 - 32 x 3/8	R.H.M.	X-51-12
#8 - 32 x 9/16	F.H.M.	X-14-9
#8 - 32 x 1/2	F.H.M.	X-14-12
#8 - 32 x 1/2	R.H.M.	X-51-13
#10 - 32 x 3/8	F.H.M.	X-15-3
#10 - 32 x 3/8	R.H.M.	X-50-2
#10 - 32 x 1/2	R.H.M.	X-50-1
#10 - 32 x 1-1/2	R.H.M.	X-50-57
#10 - 32 x 2-1/4	R.H.M.	X-50-37
#10 - 24 x 1/2	Oven head	X-103-4
#10 - 24 x 3/8	R.H.M.	X-50-13
#10 - 24 x 7/16	R.H.M.	X-50-49
#10 - 24 x 1/2	F.H.M.	X-15-5
#10 - 24 x 1	Self-tapping	X-67-36
#10 - 24 x 1-1/4	F.H.M.	X-15-18
#10 x 1/2	Sheet metal	X-67-3
1/4 - 20 x 3/8	F.H.M.	X-52-22
1/4 - 20 x 3/8	R.H.M.	X-73-3
1/4 - 20 x 3/8	R.H.M.	X-73-5
1/4 - 20 x 3/8	Sems, hex. hd.	X-132-1
1/4 - 20 x 1/2	H.C.	X-5-13
1/4 - 20 x 1/2	R.H.M.	X-73-1
1/4 - 20 x 1/2	Sems, hex. hd.	X-132-6
1/4 - 20 x 1/2	R.H.M.	X-139-1
1/4 - 20 x 5/8	H.C.	X-5-1
1/4 - 20 x 5/8	Fill hd. mach.	X-52-8
1/4 - 20 x 5/8	R.H.M.	X-73-14
1/4 - 20 x 5/8	H.C., sems	X-132-5
1/4 - 20 x 3/4	H.C.	X-5-8
1/4 - 20 x 3/4	Sems, hex. hd.	X-132-2
1/4 - 20 x 1	H.C.	X-5-7
1/4 - 20 x 1	Self-tapping	X-67-26
1/4 - 20 x 1-1/4	H.C.	X-5-4
5/16 - 18 x 1/2	H.C.	X-6-1
5/16 - 18 x 5/8	H.C.	X-6-12
5/16 - 18 x 3/4	H.C.	X-6-11
5/16 - 18 x 3/4	Z.P.	X-154-5
5/16 - 18 x 7/8	H.C.	X-6-14
5/16 - 18 x 1	H.C.	X-125-5
5/16 - 18 x 1	H.C.	X-127-1
5/16 - 18 x 1	Sems. H.C.	X-154-2
5/16 - 18 x 1	Sltd. hd.	X-160-1
5/16 - 18 x 1-1/8	H.C.	X-125-6
5/16 - 24 x 1-3/4	H.C.	X-6-39
5/16 - 18 x 2	H.C.	X-6-29
5/16 - 18 x 2-1/4	H.C.	X-6-3
5/16 - 18 x 1-1/2	H.C.	X-6-28
3/8 - 24 x 2-1/2	H.C.	X-7-29
3/8 - 16 x 3/8	H.C.	X-7-6
3/8 - 16 x 7/8	Socket hd. cap.	X-102-2
3/8 - 16 x 7/8	H.C.	X-129-4

SCREWS (Continued)

3/8 - 16 x 1	H.C.	X-7-1
3/8 - 16 x 1-1/4	H.C.	X-7-2
3/8 - 16 x 3-1/2	H.C.	X-7-21
7/16 - 14 x 2	H.C.	X-8-20

NUTS

#8 - 32	Hex., plain	X-72-4
#10 - 24	Brass hex.	X-70-2
#10 - 32	Hex.	X-70-3
#10 - 32	Elastic stop	X-101-12
1/4 - 20	Hex., steel	X-81-1
1/4 - 20	Hex., plain	X-81-3
1/4 - 28	Brass hex.	X-76-2
5/16 - 18	Hex.	X-77-2
5/16 - 18	Hex., steel	X-82-2
5/16 - 24	Elastic stop	X-101-4
1/8 - 12	Hex.	X-80-4
3/8 - 24	Hex.	X-78-2
3/8 - 24	Hex.	X-83-4
3/4 - 16	Hex.	X-89-10
3/4 - 16	Marsden	X-119-16

LOCK WASHERS

#8	Split	X-18-2
#10	Split	X-19-1
#10	I.E.T.	X-22-13
1/4	Split, C.R.S.	X-20-1
1/4	I.T.	X-22-11
5/16	I.E.T.	X-22-16
5/16	Split, C.R.S.	X-21-1
3/8	C.R.S.	X-22-1
3/8	Shakeproof	X-22-10
3/8	Split, C.R.S.	X-22-35
7/16	Split, C.R.S.	X-22-2
7/16	C.R.S.	X-23-1
25/64 x 17/32 x 1/16	Split	X-22-3
3/4	C.R.S.	X-26-10

WASHERS

17/64 I.D. x 1/2 O.D. x 1/16	Steel	X-25-63
21/64 I.D. x 9/16 O.D. x .0598	Steel	X-25-44
11/32 I.D. x 11/16 O.D. x 16 ga.	Copper	X-25-61
7/16 I.D. x 1 O.D. x .0781	Steel	X-25-1
11/64 I.D. x 3/8 O.D. x 1/32	Brass	X-25-6
7/32 I.D. x 7/16 O.D. x 3/64 x .047	Steel	X-25-7
17/64 I.D. x 1/2 O.D. x .047	Steel	X-25-35
17/64 I.D. x 3/4 O.D. x 1/16	Steel	X-25-52

275310 GASKET SET

(Std. - Ball Bearing)

<u>Part No.</u>	<u>Description</u>	<u>Qty.</u>
X-271-13	Seal, oil	1
X-379-2	Seal, oil	1
220174	Gasket, breaker	1
240281	Gasket, pump	1
275028	Seal, breather	1
275054	Gasket, cover	1
275055	Seal, governor shaft oil	1
275104	Ring, dipstick "0"	1
275144	Gasket, cover	2
275156	Gasket, head	1
275167	Gasket, carburetor	1
275341	Gasket, air horn	1
275609	Gasket, cover	1
275617	Gasket, camshaft cover	1
275622	Gasket, bearing plate .010	1
275628	Gasket, bearing plate .005	1
275631	Gasket, oil base	1
275747	Gasket, bearing plate .020	1
275271	Gasket, exhaust	1

275197 GASKET SET

(Sleeve Bearing)

<u>Part No.</u>	<u>Description</u>	<u>Qty.</u>
X-271-13	Seal, oil	1
X-271-14	Seal, oil	1
220174	Gasket, breaker cover	1
275054	Gasket, governor cover	1
275055	Seal, governor shaft oil	1
275098	Gasket, back plate	1
275104	Ring, dipstick "0"	1
275121	Gasket, oil base	1
275127	Gasket, pump cover	1
275144	Gasket, valve cover	1
275156	Gasket, cylinder head	1
275167	Gasket, carburetor	1
275341	Gasket, air horn	1
275271	Gasket, exhaust	1

K-331 SAMPLE ENGINE SPECIFICATIONS

The following engines were produced in limited sample quantities and do not appear in the specification index.

3802	38104	38170
3803	38107	38172
3804	38108	38173
3819	38110	38174
3828	38111	38175
3830	38113	38176
3833	38114	38177
3834	38115	38178
3836	38116	38181
3839	38117	38184
3845	38122	38185
3846	38123	38187
3849	38133	38189
3852	38135	38192
3853	38139	38195
3854	38142	38197
3855	38143	38201
3858	38144	38204
3862	38146	38205
3863	38147	38207
3865	38148	38208
3869	38149	38209
3881	38150	38210
3895	38152	38211
38102	38155	38212
38103	38163	38213
	38166	38214

HOW TO IDENTIFY PARTS IN AN ENGINE FOR WHICH YOU DO NOT HAVE THE SPECIFICATION NUMBER

A specification number not appearing in the index, may have been produced in very limited quantity. Parts may be identified for such an engine by using the following procedures.

- a. Check group. Part may be common to all specifications.
- b. If not a common part, then check group illustration to see if part is shown. Using index letter, check parts list for part number.
- c. If part is illustrated and several numbers given, examine group and see if a **special part** is shown which you have on your engine. If so, determine **variation number** and go back to original part that you were looking for. Find the **same variation number** as used for special part and you will have correct part number.